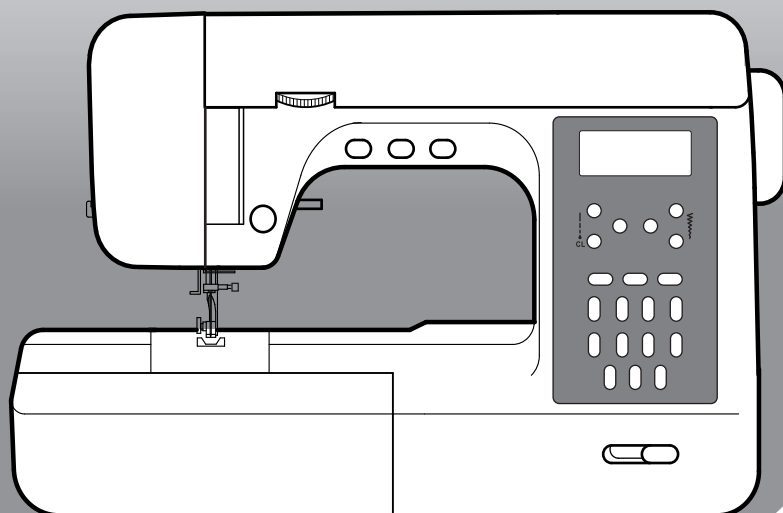


INSTRUCTION BOOK

MODEL: E200



novum

IMPORTANT SAFETY INSTRUCTIONS

When using this sewing machine, basic safety precautions should always be followed, including the following:

Read all instructions before using.

DANGER — — To reduce the risk of electric shock.

- 1 This sewing machine should never be left unattended when plugged in . Always unplug this sewing machine from the electrical outlet immediately after using and before cleaning.
2. Always unplug before relamping. Replace the bulb with same type rated 15 watts.
3. Do not reach for this sewing machine that has fallen into water. Unplug immediately.
4. Do not place or store sewing machine where it can fall or be pulled into a tub or sink. Do not place or drop into water or other liquid.

WARNING — — To reduce the risk of burns, fire, electric shock, or injury to persons.

- 1 Do not allow to be used as a toy. Close attention is necessary when this sewing machine is used by or near children.
2. Use this sewing machine only for its intended use as described in this manual. Use only attachments recommended by the manufacturer as contained in this manual.
3. Never operate this sewing machine if it has a damaged cord or plug, if it is not working properly, if it has been dropped or damaged, or dropped into water. Return this sewing machine to the nearest authorized dealer or service center for examination, repair, electrical or mechanical adjustment.
4. Never operate this sewing machine with any air openings blocked. Keep ventilation openings of this sewing machine and foot control free from the accumulation of lint, dust, and loose cloth.
5. Never drop or insert any object into any opening.
6. Do not use outdoors.
7. Do not operate where aerosol (spray) products are being used or where oxygen is being administered.
8. To disconnect, turn all controls to the off (O) position, then remove plug from outlet.
9. Do not unplug by pulling on cord. To unplug, grasp the plug, not the cord.
10. Keep fingers away from all moving parts. Special care is required around this sewing machine needle.
11. Always use proper needle plate. The wrong plate can cause the needle to break.
12. Do not use bent needles.
13. Do not pull or push fabric while stitching. It may deflect the needle causing it to break.
14. Switch this sewing machine off (O) when making any adjustments in the needle area, such as threading needle , changing needle m threading bobbin, or changing presser foot, etc.
15. Always unplug sewing machine from the electrical outlet when removing covers, lubricating, or when making any other user servicing adjustments mentioned in this instruction manual.
16. Never operate on a soft surface such as a bed or couch where the air openings may be blocked.
17. Appliance (230-240V) is provided with double insulation. Use only identical replacement parts. See instructions for servicing Double-insulate Products.
18. Never place anything on the foot controller.
19. This appliance can be used by children aged from 8 years and above and persons with reduced physical, sensory or mental capabilities or lack of experience and knowledge if they have been given supervision or instruction concerning use of the appliance in a safe way and understand the hazards involved.
20. Children shall not play with the appliance.
21. Cleaning and user maintenance shall not be made by children without supervision.

Servicing Double-Insulated Products (220-240V)

In a double-insulated product, two systems of insulation are provided instead of grounding. No grounding means is provided on a double-insulated product nor should a means for grounding be added to the product. Servicing a double-insulated product requires extreme care and knowledge of the system and should only be done by qualified service personnel. Replacement parts for a double-insulated product must be identical to those parts in the product. The symbol is marked on the double-insulated product.

This sewing machine is intended for household use.

SAVE THESE INSTRUCTIONS



DO NOT THROW AWAY!

EU ONLY

RECYCLING



We are committed to the protection of the environment. We strive to minimize the environmental impact of our products by continuously improving product design and our manufacturing methods.

At end of life please dispose of this product in an environmentally responsible way.

The crossed-out wheeled bin symbol featured above and on the product's data-plate means that this product falls under the scope of the E.U. "Waste Electrical and Electronic Equipment" (WEEE) directive and "Restriction of the Use of Certain Hazardous Substances in Electrical and Electronic Equipment" (ROHS) directive and should not be disposed of with your household waste. At end of life, you must ensure that this product is disposed of in accordance with national and local legislation and that it is sorted as Category 2 "Small Domestic Appliances" WEEE. You may be liable under local and national laws for improper disposal of this product. Please consult the web, or a competent national or local body, for the return and collections systems available to you and the locations of your nearest recycling points. If you purchase a new product direct from us we will take your old product back, irrespective of the brand, if it is a like for like sale.

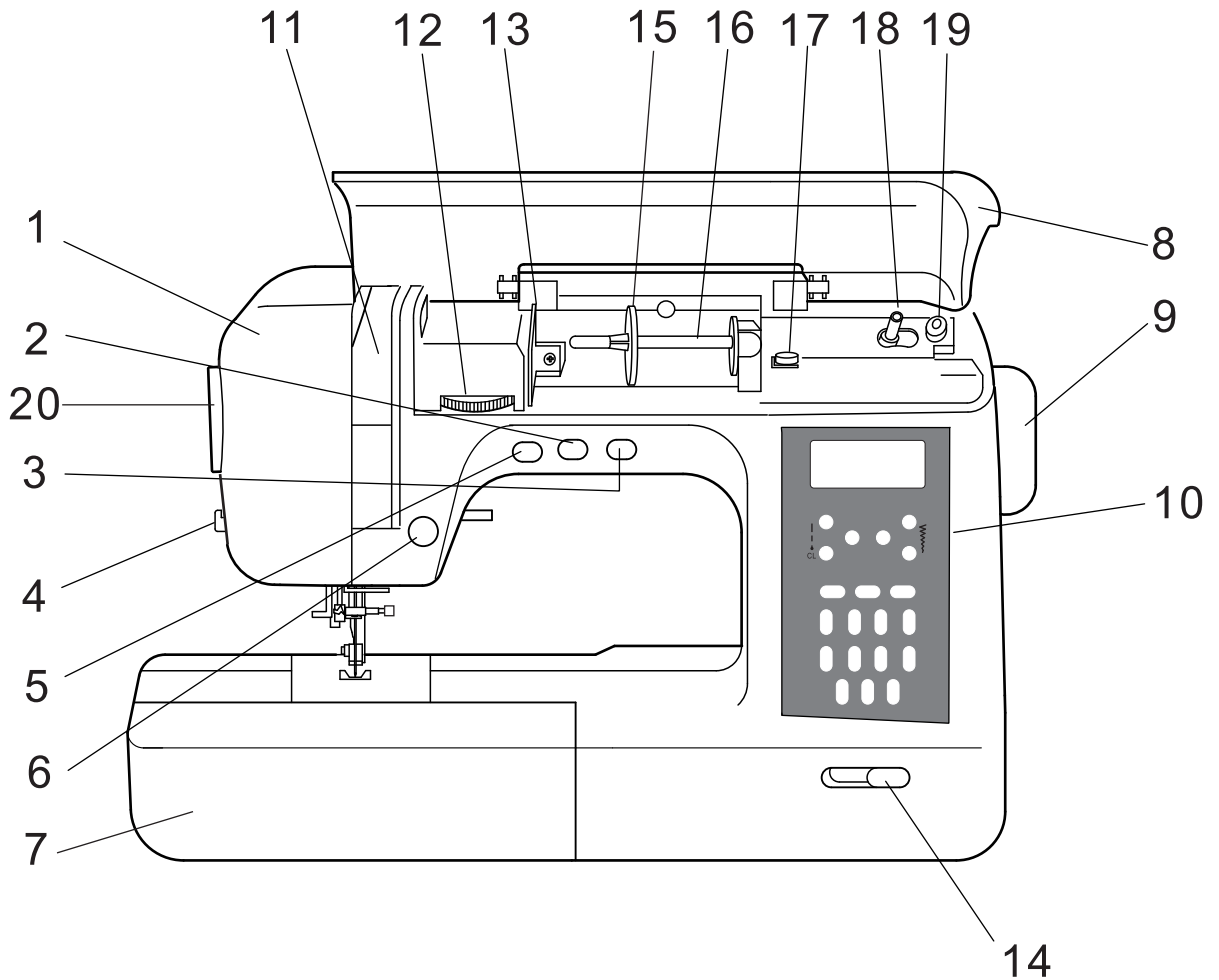
As an individual you can make a positive impact on reuse, recycling and other forms of recovery of WEEE. This will reduce use of landfill and minimize the environmental impact of the products you use.

Hazardous substances in electronic and electrical products can have a harmful impact on human health and on the environment.

CONTENTS

MAIN PARTS	2	BLIND HEM STITCHING	22
ACCESSORIES	4	BUTTONHOLE SEWING	23
EXTENSION TABLE / ACCESSORY STORAGE	4	MULTI-STITCH ZIGZAG	25
CONVERTING TO FREE-ARM SEWING	5	ELASTIC STITCH SEWING	25
EXTENSION WORKING TABLE (OPTIONAL)	5	APPROPRIATE FOR WORDS	26
DUST COVER (OPTIONAL)	5	PATCH WORK	27
CHANGING THE PRESSER FOOT	6	APPLIQUE	27
REMOVING THE PRESSER FOOT HOLDER	6	INSERTING ZIPPERS AND PIPING	28
INSERTING THE NEEDLE	6	SCALLOP STITCH	29
CONNECTING THE MACHINE	7	ADJUSTING DECORATIVE PATTERNS	29
CONTROL BUTTONS & DROP FEED LEVER	8	SEWING LIGHT WEIGHT FABRICS	29
START/STOP BUTTON	8	CARING FOR YOUR MACHINE	30
SPEED CONTROL BUTTON	8	CLEANING THE FEED DOGS AND HOOK AREA	31
SLOW BUTTON	8	HELPFUL HINTS	31
REVERSE STITCH BUTTON	8	PATTERN CHART	32
NEEDLE UP/DOWN BUTTON	8		
DROP FEED LEVER	8		
FOOT CONTROL	9		
CONTROL BUTTON FUNCTIONS	9		
FUNCTION OF CONTROL PANEL	10		
BOBBIN WINDING	11		
WINDING THE BOBBIN	11		
INSERTING THE BOBBIN	12		
THREADING THE MACHINE	13		
THREADING THE UPPER THREAD	13		
NEEDLE THREADER	14		
DRAWING UP THE BOBBIN THREAD	14		
STARTING TO SEW	15		
REVERSE STITCHING	16		
TURNING CORNERS	16		
SEWING HEAVY FABRIC	16		
SEAMING GUIDE ON THE STITCH PLATE	16		
ADJUSTING THE THREAD TENSIONS	17		
FABRIC, THREAD AND NEEDLE TABLE	18		
STRAIGHT STITCH SEWING	19		
ZIGZAG STITCH SEWING	20		
FREE ARM SEWING	20		
OVERCASTING-OVERLOCKING	21		
USING THE OVERCASTING FOOT	21		

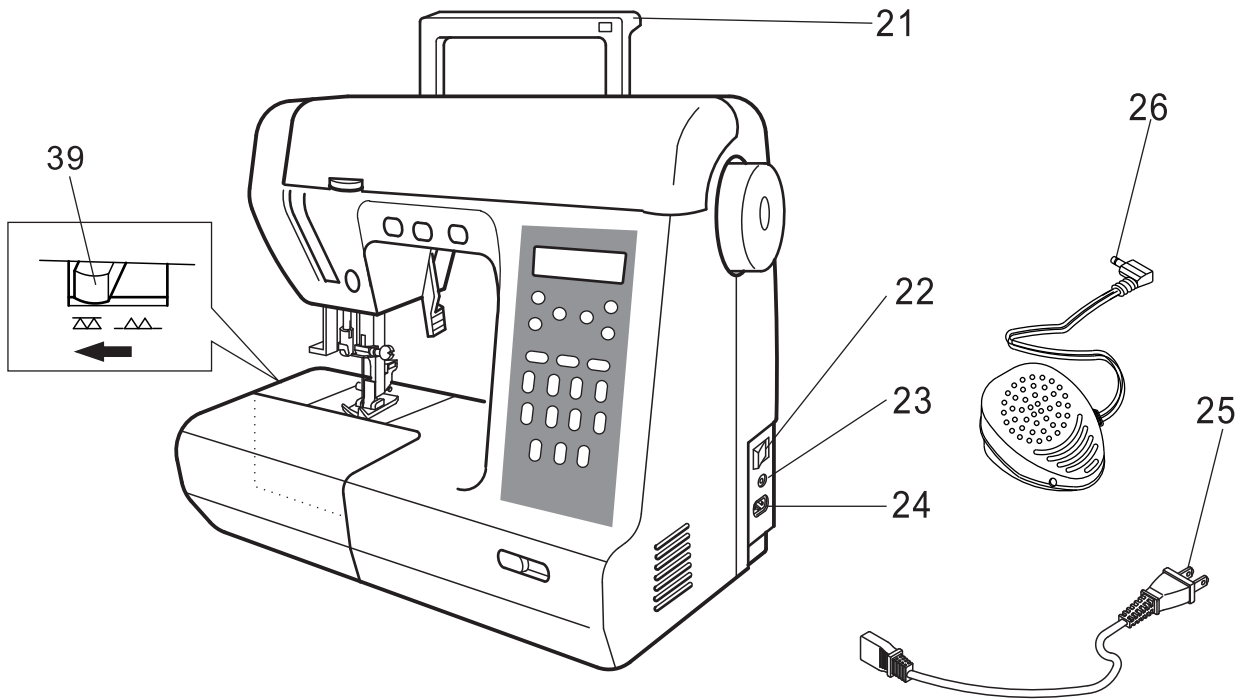
MAIN PARTS



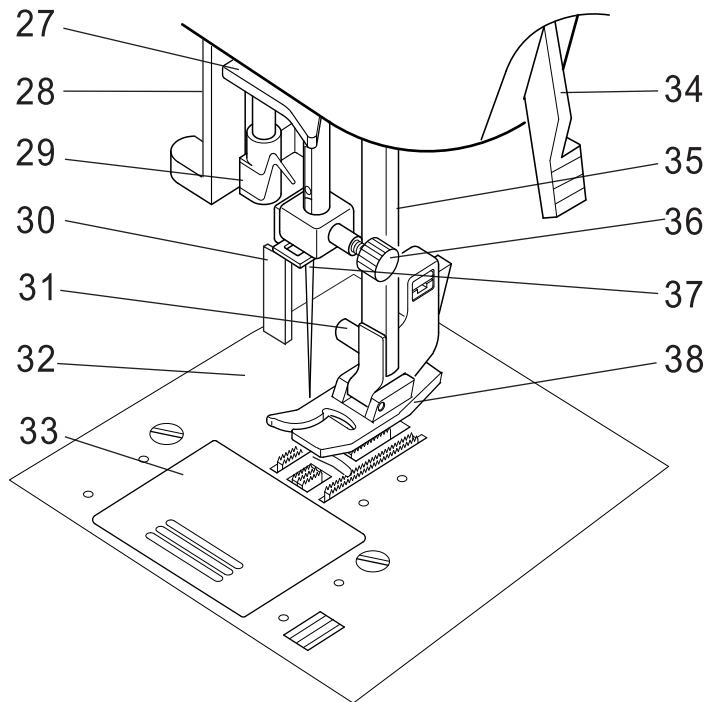
- 1.Face Plate
- 2.Slow Button
- 3.Needle Up/Down Button
- 4.Thread Cutter
- 5.Reverse Stitch Button
- 6.Start/Stop Button
- 7.Accessory case
- 8.Top Cover
- 9.Hand Wheel

- 10.Control Panel
- 11.Thread Take-Up Lever (Inside)
- 12.Thread Tension Regulator
- 13.Thread Guide Plate
- 14.Speed Control Slider
- 15.Spool Cap
- 16.Spool Pin
- 17.Bobbin Winder Thread Guide
- 18.Bobbin Winder Spindle
- 19.Bobbin Winder Stop
- 20.Pressure Regulator

MAIN PARTS

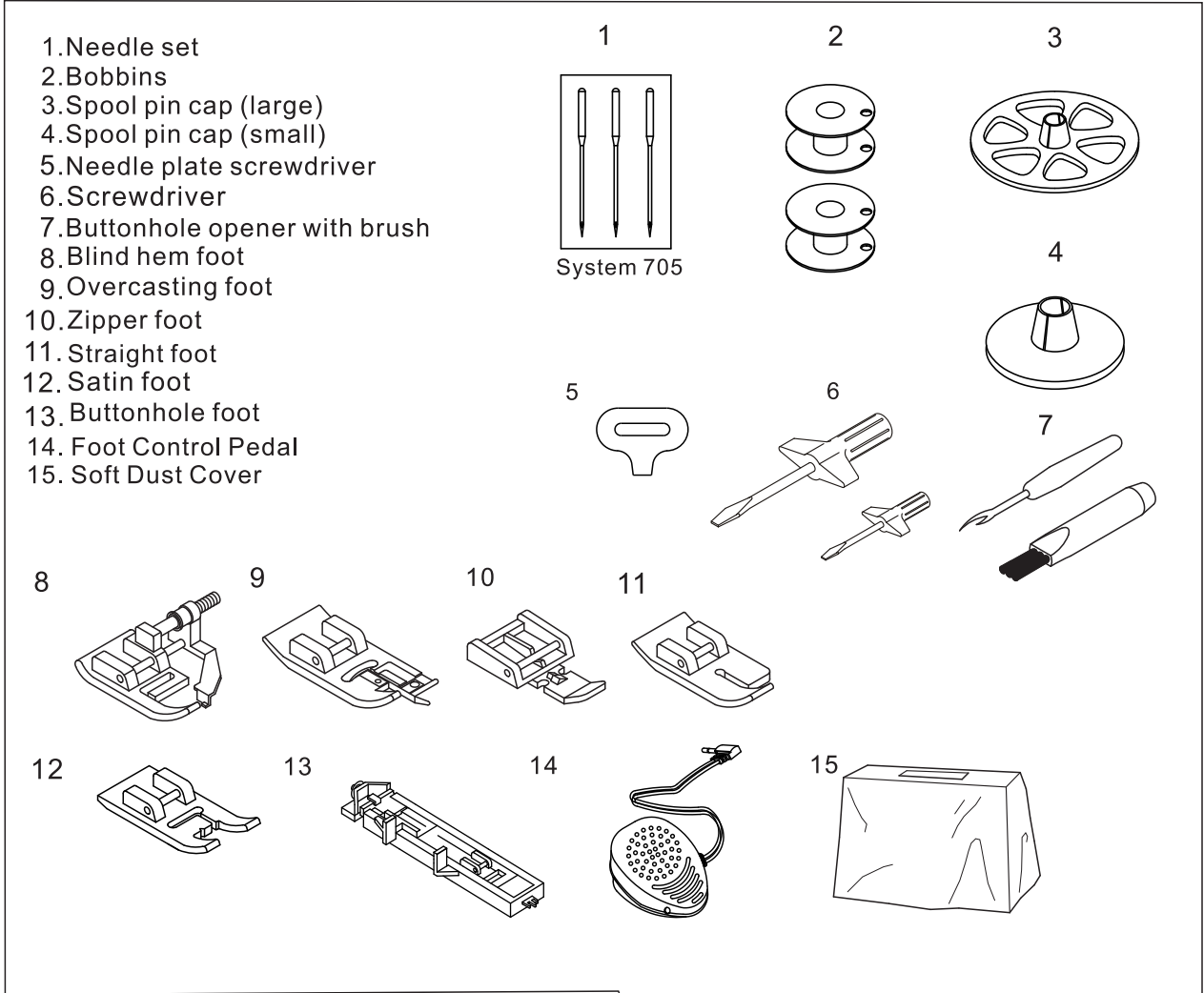


- 21. Carrying Handle
- 22. Power Switch
- 23. Controller Plug
- 24. Terminal Box
- 25. Power Line Cord
- 26. Foot Controller
- 27. Lower Thread Guide
- 28. Needle Threader Lever
- 29. Needle Threader
- 30. Buttonhole Lever
- 31. Presser Foot Thumb
- 32. Needle Plate
- 33. Slide Cover
- 34. Presser Foot Lifter
- 35. Thread Cutter
- 36. Needle Clamp Screw
- 37. Needle Thread Guide
- 38. Presser Foot
- 39. Drop Feed Lever



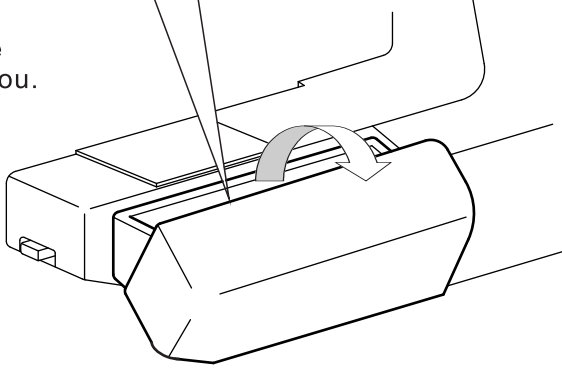
ACCESSORIES

Some accessories are provided in the accessory case.



OPENING THE ACCESSORY CASE

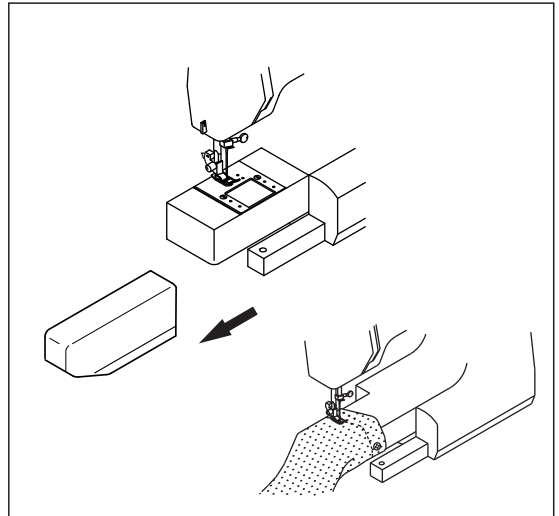
To open the accessory case, lift up on the top left side of the table and pull toward you.



CONVERTING TO FREE-ARM SEWING

Your machine can be used either as a flat-bed, or as a free-arm model.

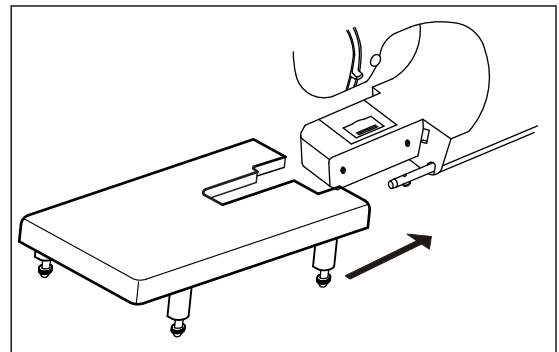
With the extension table in position, it provides a working surface as a standard flat-bed model. By removing the extension table (just pull it off to the left as shown), the machine converts into a free-arm model.



LARGE EXTENSION TABLE (optional)

For a larger sewing surface, attach the large extension table.

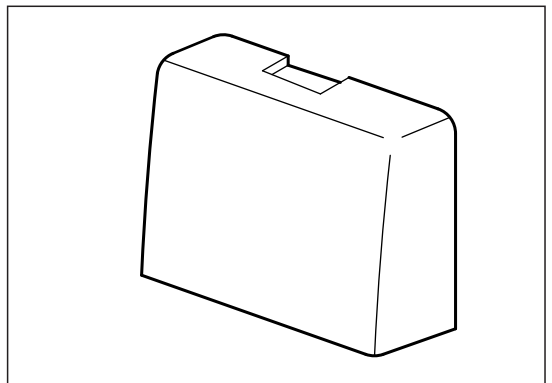
- ① Pull the extension table with accessory storage to the left to remove from the machine.
- ② Lower 4 legs of large extension table until it click into position.
- ③ Slide the large extension table to the right and into position.



DUST COVER (OPTIONAL)

Cover the machine with dust cover when it is not to be used.

This manual will be stored on the holder provided inside of the cover.



CHANGING THE PRESSER FOOT

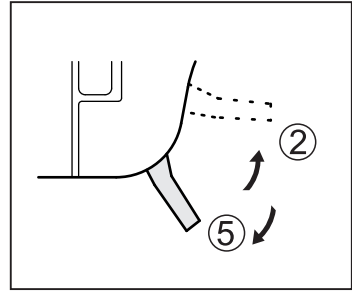
The presser foot must be changed according to the stitch you sew, or work you do.



CAUTION: To prevent accidents.

Turn OFF the power switch before you change the presser foot.

1. Turn the handwheel toward you until the needle is at its highest position.
2. Raise the presser foot lifter.
3. Remove the presser foot by pushing the presser foot release lever toward you.
4. Place desired foot with its pin (A) directly under the slot (B) in presser foot holder.
5. Lower the presser foot lifter and the presser foot will snap into place.

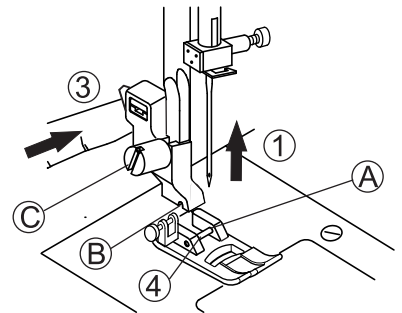


REMOVING THE PRESSER FOOT HOLDER

You may need to remove the presser foot holder to use some presser feet.

To remove, raise the presser foot lifter and loosen the presser foot thumb screw (C).

To attach, tighten the screw after raising the presser foot holder.



- (A) Presser foot pin
- (B) Presser foot holder slot
- (C) Presser foot thumb screw

INSERTING THE NEEDLE

Select a needle of the right type and size for the fabric to be sewn.
(See Fabric, Thread and Needle Table on page 18.)



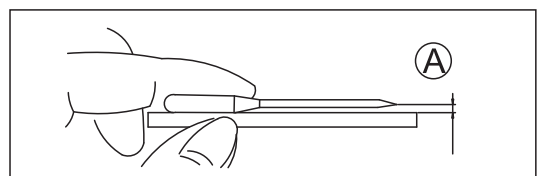
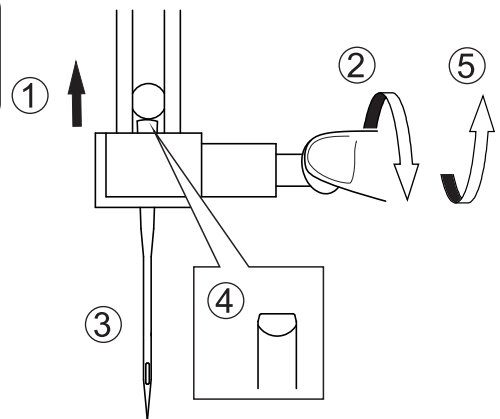
CAUTION: To prevent accidents.

Turn OFF the power before removing the needle.

1. Turn the handwheel toward you until the needle is at its highest position.
2. Loosen the needle clamp screw.
3. Remove the needle.
4. Insert new needle into needle clamp with the flat side to the back and push it up as far as it will go.
5. Tighten the needle clamp screw.

A. Place needle on a flat surface and check to see if bent.

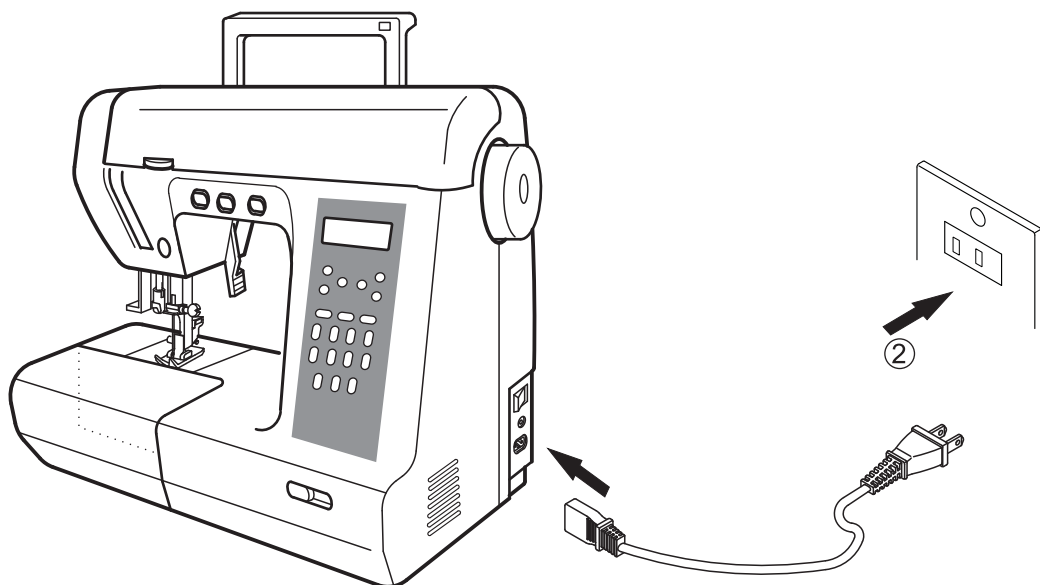
Do Not use any bent or blunt needles.



CONNECTING THE MACHINE

Place the machine on a stable table.

1. Connect the power cord to the machine by inserting the 3- pin plug into the plug socket.
2. Connect the power cord plug to the electric outlet.
3. Turn "ON" the power switch.
4. A LED will light up when switch is turned on.
5. To disconnect, turn the power switch to the "OFF" position, then remove plug from outlet.



DANGER:
-To reduce the risk of electric shock.

Never leave the machine unattended when plugged in. Always unplug this machine from the electric outlet immediately after using and before maintenance.



WARNING:
-To reduce the risk of burns, fire, electric shock,
or injury to persons.

Do not unplug by pulling on the cord. To unplug, grasp the plug, not the cord.

CONTROL BUTTONS & DROP FEED LEVER

A. SLOW BUTTON

While sewing, by pressing and holding this button, machine will sew in slow speed. Releasing this button, the speed will return.

B. NEEDLE UP/DOWN BUTTON

Needle position can be changed by pressing this button. Pressing this button will permit one stitch sewing.

C. SPEED CONTROL BUTTON

The machine will sew faster when the button is slid to the right, and sew slower when button is slid to the left.

D. REVERSE STITCH BUTTON

The machine will continue to sew in reverse at low speed while the button is pressed and stop when the button is released.

E. START/STOP BUTTON

The machine will start running when start/stop button is pressed and will stop when pressed the second time.

The machine will rotate slowly at start sewing

F. DROP FEED LEVER

The fabric feed dogs project up through the needle plate, directly below the presser foot. The function is to move the fabric being sewn. The drop feed lever controls the fabric feed dogs.

For ordinary sewing, move the lever to the right. This raises feed dogs to their highest position. For most sewing, the lever should be in this position.

For darning of free motion embroidery or whenever fabric is to be moved by hand, move the lever to the left to lower the fabric feed dogs.

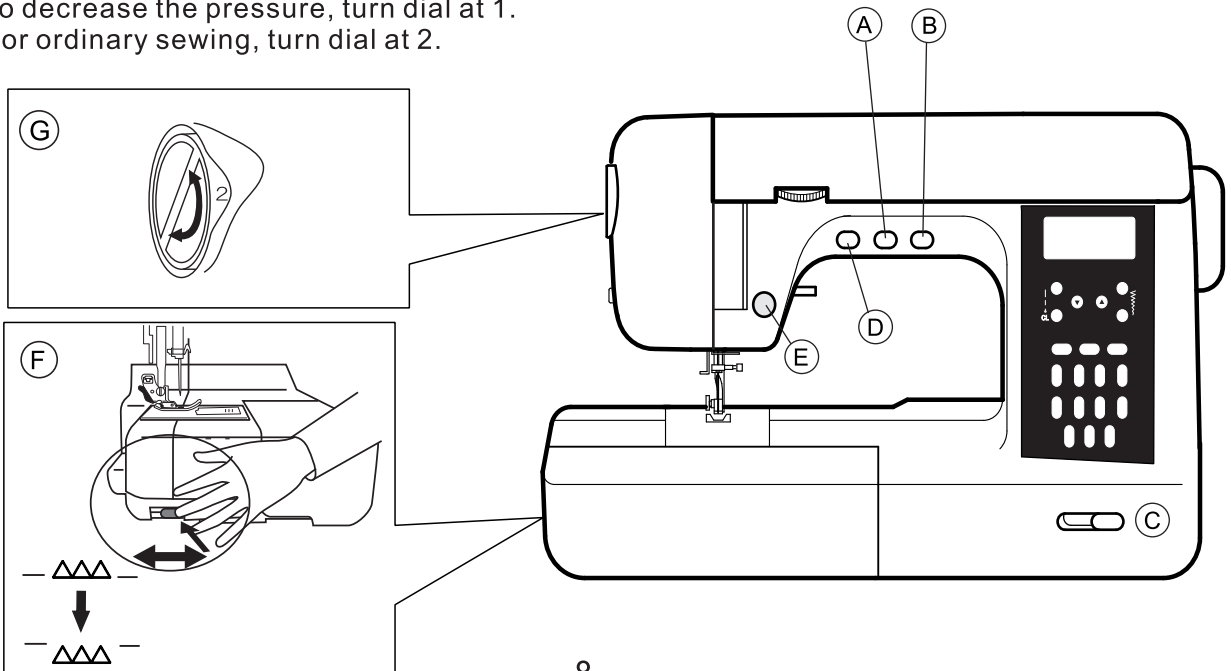
G. PRESSURE REGULATOR

The pressure on the presser foot is determined by the weight of fabric.

To increase the pressure, turn dial at 3

To decrease the pressure, turn dial at 1.

For ordinary sewing, turn dial at 2.



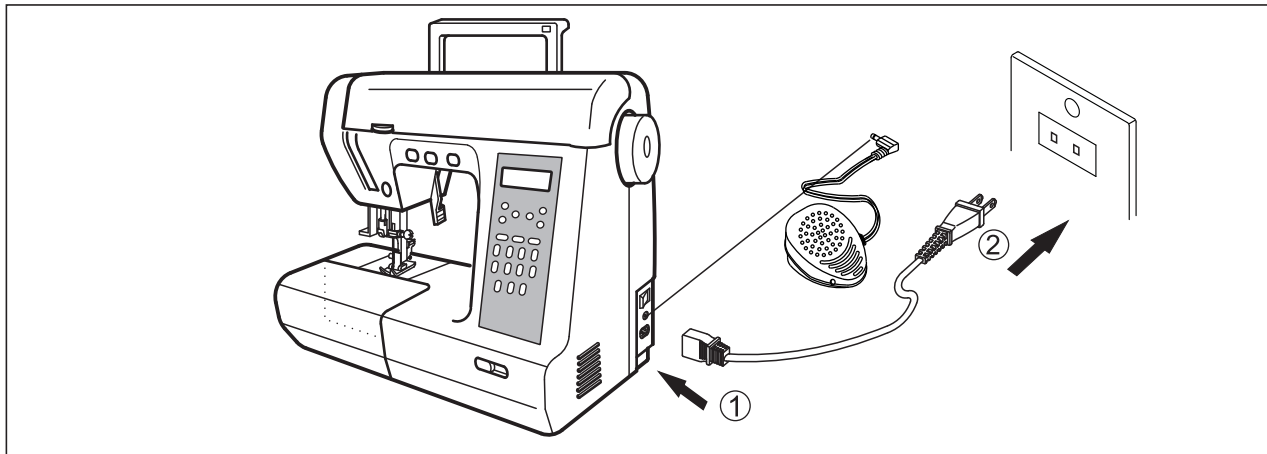
FOOT CONTROLLER

Use of foot controller will permit control of start, stop and speed with your foot.



CAUTION: To prevent accidents.

1. Turn off the power switch.
2. Push foot controller plug into receptacle on machine.
3. Place foot controller at your feet and turn on power switch.
Sew faster by increasing the pressure on the controller.
To stop, remove your foot from the controller.



CONTROL BUTTON FUNCTIONS

The control button functions described in previous page will change when the foot control is connected.

A. SPEED CONTROL BUTTON

This button will limit the maximum speed.

B. REVERSE STITCH BUTTON

The machine will continue to sew reverse at same speed while this button is pressed. When released, the machine will continue to sew forward.

SAFETY FEATURE OF ELECTRONIC MODEL

If the machine is jammed, it will stop with three beep sounds. After the cause of jamming is removed, step on the foot control and it will run in normal condition.



WARNING:

-To reduce the risk of burns, fire, electric shock, or injury to persons.

1. Handle the foot controller with care and avoid dropping it on the floor. Be sure not to place anything on top of it.
2. Use only foot controller provided with this machine.

FUNCTION OF CONTROL PANEL

1 **LCD** displayer: left below side display the pitch size, Middle side display the number of select pattern Right below side display stitch width.

2 **(ME) MEMORY** means start memory button: press memory button, when the button lights up the user starts memory function. The user key-in the number of patterns, alphabets or figures to memory, can continually key-in 60 kinds of pattern, alphabets or figures (BH & button pattern is not available when this function is on). When the user starts to sew, the machine will continue to sew the patterns as stitches of selection inputted, memory will show at the middle of displayer (001-200)

3 **(SA) SAVE** Then press **SAVE** button to memory the patterns (can key in 60 kinds of patterns, alphabets or figures).

- BH&button pattern cannot be saved.
- Can memory the Mirror patterns for the user select patterns variously.
- Into memory function, at left below of LCD screen will display the quantity of total memory.

4 **(AD) Turning Page Button**

The function provides fast forward steps of the pattern selection. At any time you press AD the internal computer will stop forward with 10 steps. First time you press it steps to and hereafter it steps forward with 10 steps every time you press AD. Example: In case selected pattern is 5 and you press AD, it steps to 11. Next time you press it steps to 21 and next time to 31 etc.

5 **(MI) MIRROR** sewing opposite stitch. letter: \lessgtr become to \gtrless

6 **(RE) REPEAT** means start repeat function: Press RE button to lighten. If the user want to repeat sewing the same pattern, figure, alphabet each or to continue sew the memory unit. The user could press "RE" button, then press start button, sewing machine will continue repeat sew the memory patterns or each alphabet, figure or pattern for unlimited sewing, until the user press stop button. When the user won't to use REPEAT again, press "RE" button again for light off to cancel repeat sewing function.

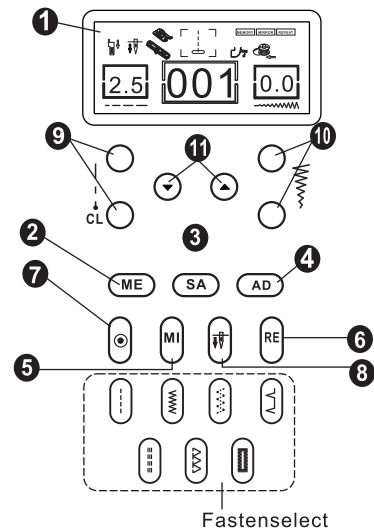
7 **(REINFORCEMENT BUTTON)** Press Reinforcement button to sew 4 tie-off stitches at same position and machine stop running.

8 **(NEEDLE DOWN) NEEDLE DOWN** button: when needle down is selected the lcd button will be displayed in red.

9 The two buttons is for adjusting stitch length. Press upper button for a longer stitch, press lower button for a shorter stitch. It is also operating when ME is turned on

10 The two buttons is for adjusting stitch width. Press upper button for a wider stitch, press lower button for a narrower stitch. It is also operating when ME is turned on

11 Patterns selector: 200kinds (as attached)

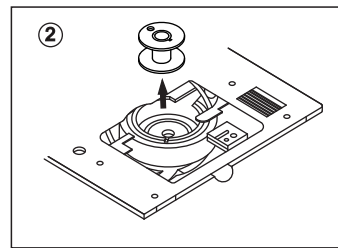
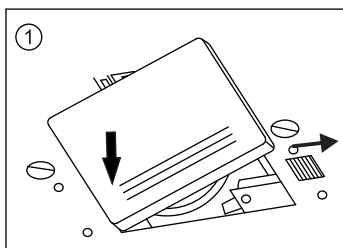


7 kinds of fasten buttons, press on lighten display (other pattern number reference P.33)

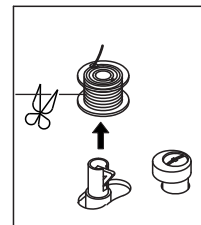
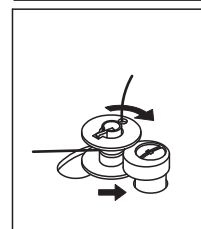
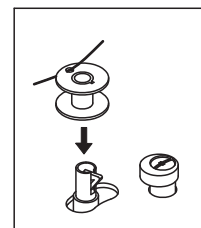
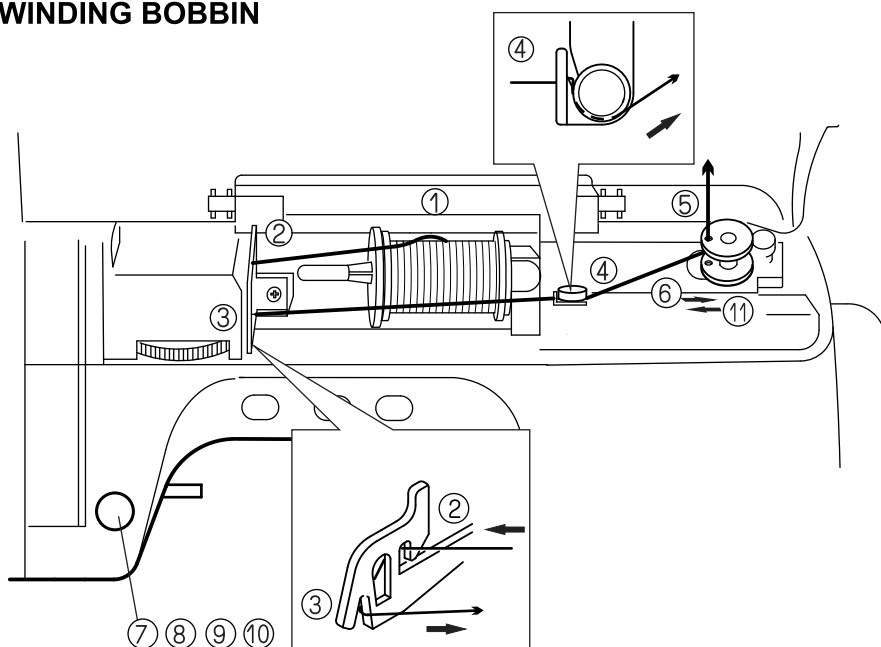
BOBBIN WINDING

REMOVING THE BOBBIN

1. Remove the bobbin cover by sliding the release lever to right and push down the left corner of bobbin cover at the same time.
2. Remove the bobbin from the machine.



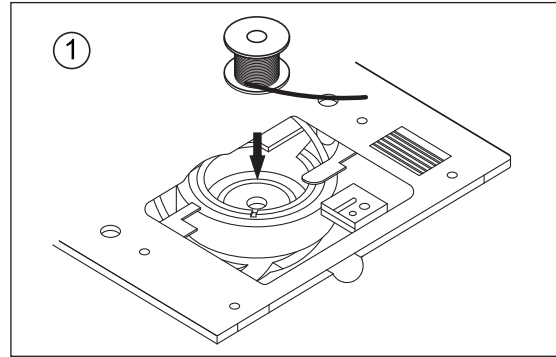
WINDING BOBBIN



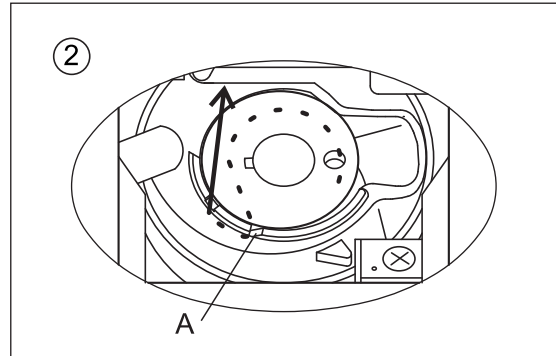
1. Place a spool of thread onto the spool pin and set the spool cap on it.
2. Pass thread through the thread guide.
3. Pass thread through the bobbin winder thread guide.
4. Pass thread from spool through thread guides as shown.
5. Insert thread through hole in bobbin from inside-out.
6. Place the bobbin on bobbin winder spindle and push to the right to engage bobbin winder.
The condition will display on the LCD when the bobbin winding is activated.
7. Hold the end of the thread and start the machine.
8. After the bobbin winds a few turns, stop the machine and cut the thread near hole.
9. Start the machine again. Set the speed to maximum.
10. The bobbin winding will stop when bobbin is full. Stop the machine.
11. Push the bobbin and spindle to the left. Remove the bobbin from the spindle and cut the thread.

INSERTING THE BOBBIN

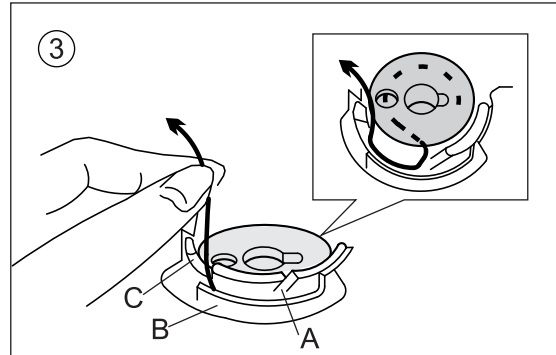
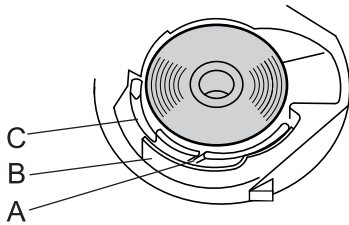
1. Place bobbin into bobbin holder with the thread unwinding counter clockwise.



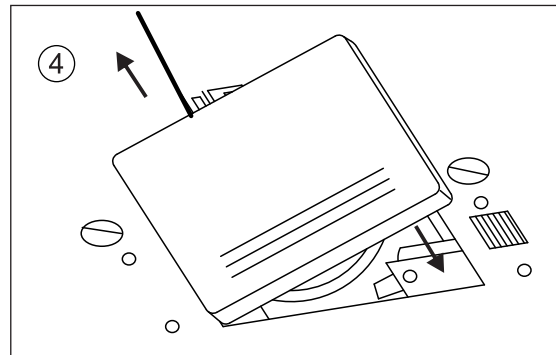
2. Draw thread into notch (A).



3. Pull thread toward the left and along the inside of spring (B) until it slips into notch (C) being sure that thread does not slip out of notch (A).

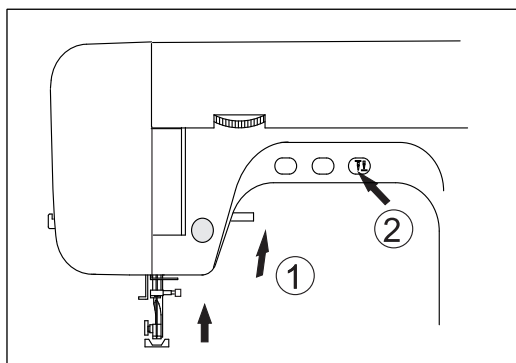


4. Pull thread out about 10 cm and replace the bobbin cover by inserting the left side and lowering the right side till snaps into position.

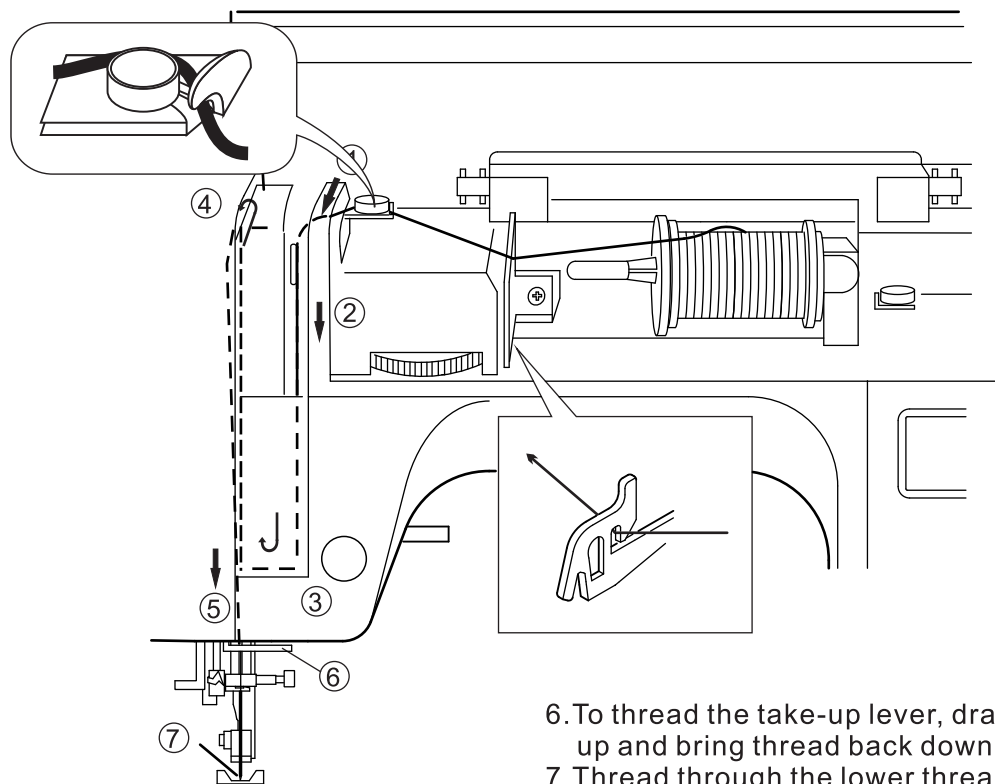


THREADING THE MACHINE

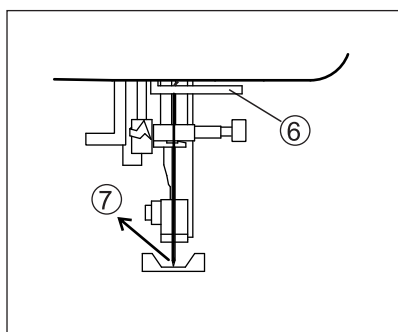
THREADING THE UPPER THREAD



1. Raise the presser foot lifter.
2. Press the needle up/down button and set needle in up position.
3. Place a spool of thread onto spool pin and set the spool cap.
4. Pass thread through thread guide.
5. Pass thread along the arrow marks on machine.

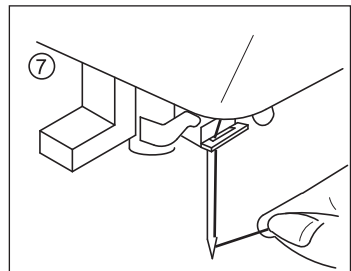
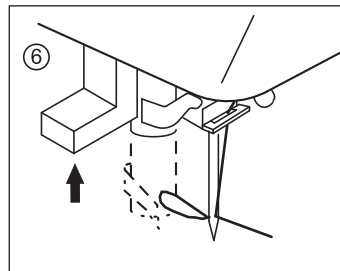
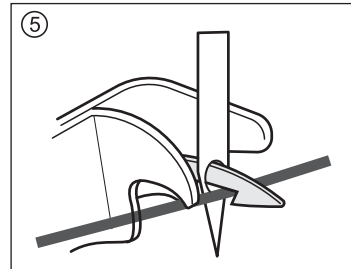
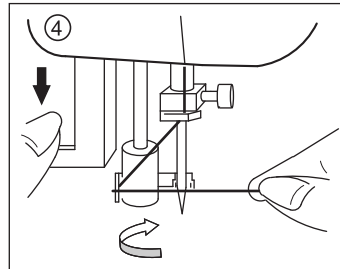
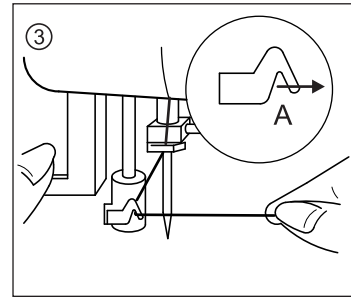
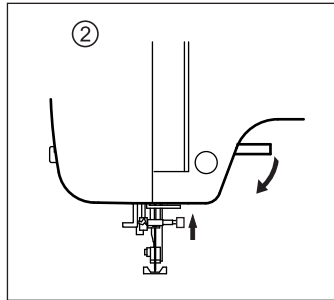


6. To thread the take-up lever, draw thread up and bring thread back down again.
 7. Thread through the lower thread guide, needle thread guide and through the needle eye.
- Refer to next page for instructions on how to use the needle threader.



NEEDLE THREADER

1. Lower the presser foot.
2. Set needle in up position.
3. Lower the threader slowly and draw thread through thread guide (A) and pull toward the right.
4. Lower the lever as far as it will go. The threader will turn and the hook pin will go through the needle eye.
5. Draw thread through the lower guide.
6. Hold thread loosely and slowly return lever to original position. Hook will turn and pass thread through needle eye while making a loop of thread.
7. Pull thread out about 10 inches from needle eye.



Note: The needle threader can only be used for needle sizes 11, 14, and 16.

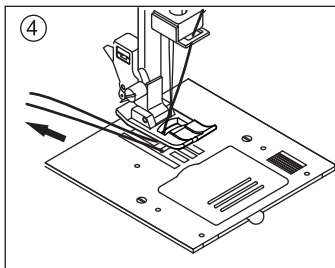
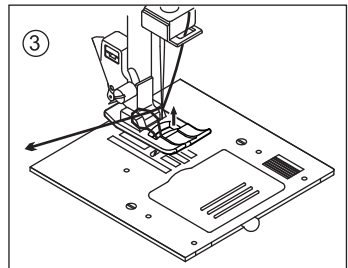
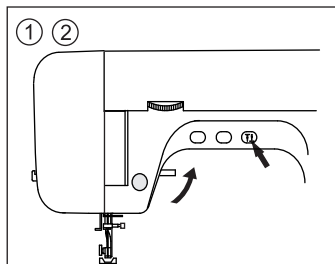


CAUTION: To prevent accidents.

Do not lower the threader lever while machine is operating.

DRAWING UP THE BOBBIN THREAD

1. Raise the presser foot.
2. Hold the upper thread loosely and press needle up/down button. The handwheel will turn one complete turn.
3. Pull upper thread lightly. Bobbin thread will come up in a loop.
4. Pull both upper and bobbin threads about 10 inches toward the back and under the presser foot.



STARTING TO SEW

The machine will be set at automatically to sew straight stitches when power switch is turned on.

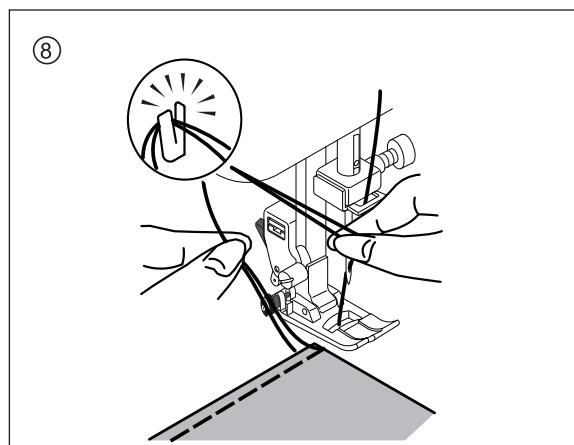
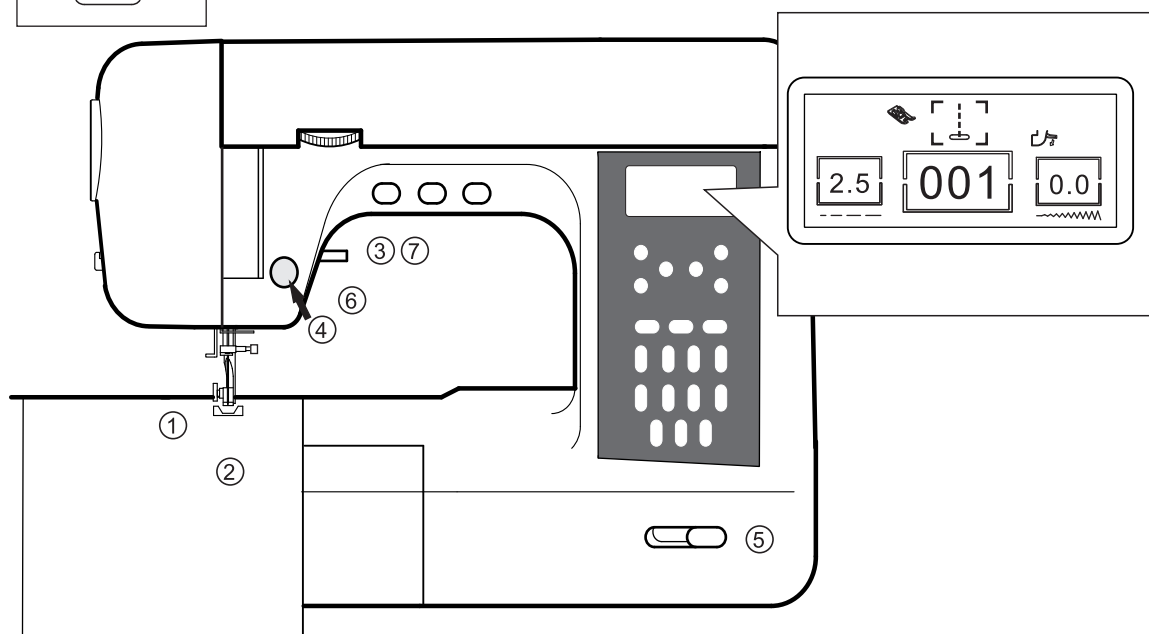
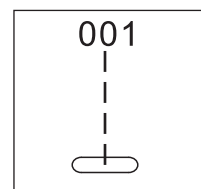
START AND END OF SEAM



CAUTION: To prevent accidents.

While sewing, special care is required around the needle.

As machine will automatically feed the fabric, do not pull nor push fabric.

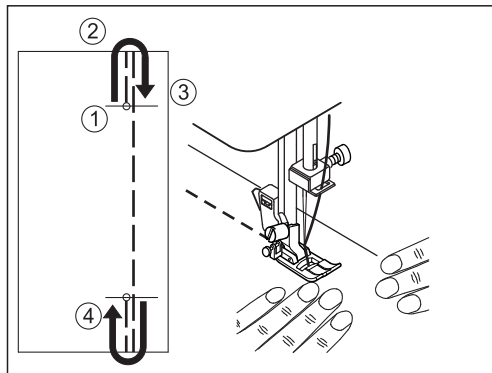


1. Check the presser foot (General purpose presser foot). Refer to page 6 for changing the presser foot.
2. Place the fabric under the presser foot.
3. Lower the presser foot.
4. Hold back threads when starting machine.
Let threads go after sewing a few stitches.
5. Regulate the speed while sewing.
6. Stop machine when you reach end of seam.
7. Raise the presser foot lifter.
8. When you have reached the end of a seam, stop sewing and turn the hand wheel toward you to bring the needle to the highest position. Raise the presser foot and pull the fabric out from under the foot to the back of the machine. Cut the threads in the thread cutter on the left side of the machine.

REVERSE STITCHING

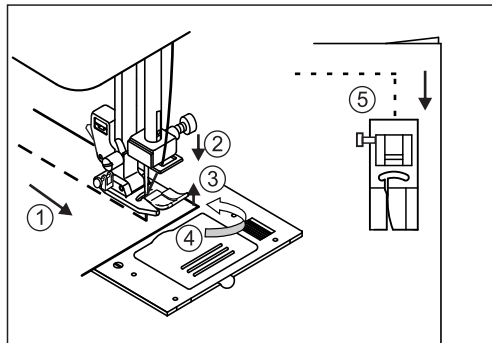
Reverse stitching is used for reinforcing the ends of the seams.

1. Place the fabric in position where back stitching is to be made and lower the presser foot.
2. Press reverse stitch button and sew 4-5 stitches. (Using foot control, press pedal with pressing reverse stitch button.)
3. Press start button and resume sewing. (Using foot control, release reverse stitch button and press foot control to sew forward.)
4. When you reach the end of seam, press reverse stitch button and sew 4-5 reverse stitches.



TURNING CORNERS

1. Stop the machine when you reach a corner.
2. Lower needle into the fabric. To lower the needle, you can either use the needle up/down button or turn the handwheel toward you.
3. Raise the presser foot.
4. Use the needle as a pivot and turn fabric.
5. Lower the presser foot and resume sewing.



SEWING HEAVY FABRIC

When sewing heavy fabrics, the toe end of presser foot tends to lift up and sewing will hesitate at the point that the fabric is thicker. In this case, place a piece of cardboard or fabric of same thickness under the heel end of the presser foot.

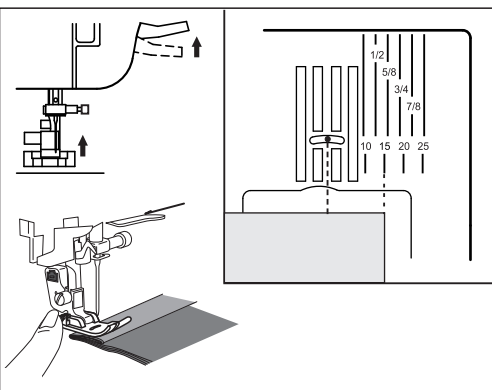
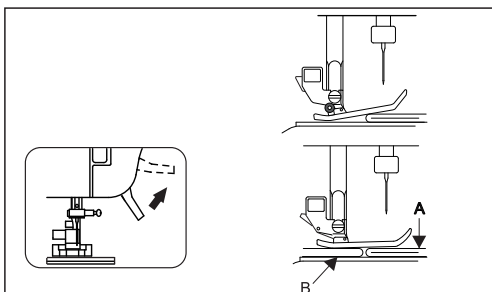
- The presser foot lever can be raised 1 step higher for placing heavy materials under the presser foot easily.

Carefully guide the fabric with your hand when sewing over thick fabric areas.

A: Fabric B: Thick paper or fabric

SEAMING GUIDE ON THE STITCH PLATE

The figure on each guide line on the stitch plate indicates the distance between this guide line and the center needle position. Guide the fabric along the specific guide line in order to get the desired seam allowance between the stitching and the edge of the fabric.

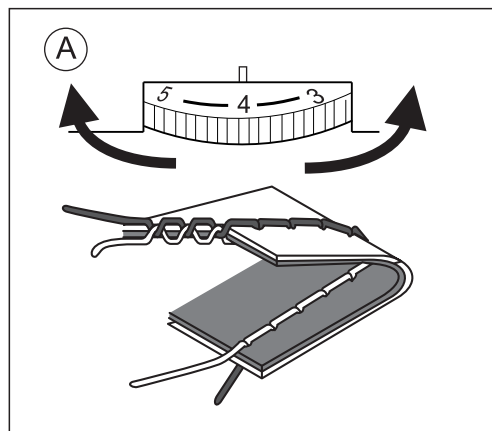


ADJUSTING THE THREAD TENSIONS

The thread tension must be properly balanced. If adjustment is required, it can be made by changing the upper thread tension.

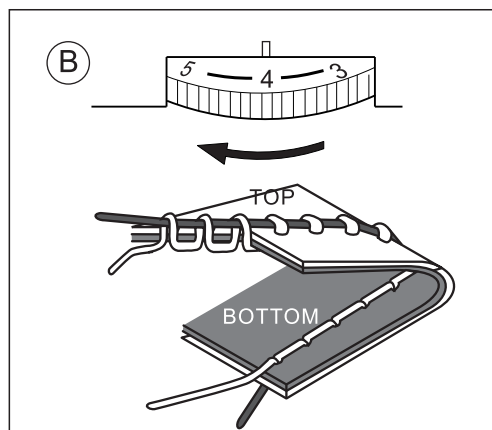
A. Correct Thread Tension

Upper and bobbin threads should interlock in the middle of fabric.



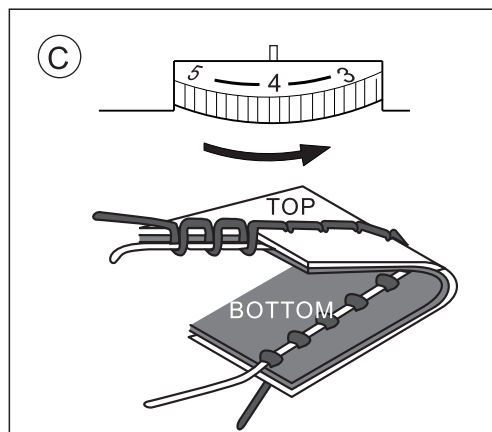
B. When bobbin thread appears on top side of fabric.

Turn the tension dial to a lower number to loosen the upper thread tension.



C. When upper thread appears on the bottom side of fabric.

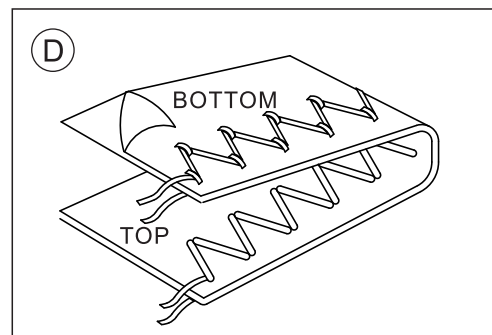
Turn the tension dial to a higher number to tighten the upper thread tension.



D. Thread Tension for Zigzag Stitches

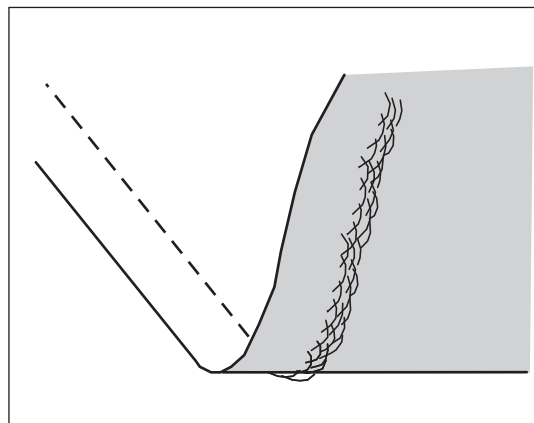
To sew zigzag stitches, the thread tension should be set to a slightly weaker tension than when sewing straight stitches.

You will obtain a nicer stitch when upper thread appears slightly on bottom side of fabric.



● Helpful Hint

Like shown on drawing, stitches on top side of fabric are good but bottom side tends to have a bunch of thread, it usually means that the upper thread is not threaded correctly (especially threading of the upper thread tension may not be correct.) Refer to page 13 for correct threading.



CAUTION: To prevent accidents.

The feed dog will feed the fabric automatically. Do not pull or push fabric with hands. This could cause needle breakage or poor quality stitches.

FABRIC, THREAD AND NEEDLE TABLE

Needle system	Needle size															
	5	7	8	9	10	11	12	13	14	16	18	19	20	21	22	23
Ha x 1																
System 705	45	55	60	65	70	75	80	85	90	100	110	120	125	130	140	160

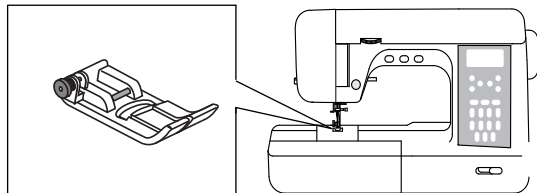
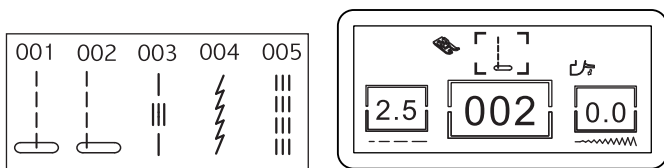
Select size of thread and needle according to the fabric to be sewn.

Type of Fabric	Thread Size	Needle Size
● Light Weight-thin georgette, organdy, viole, taffeta, silk, etc.	Ctn.# 80 - 100 Silk 60 - 80 Syn. 80 - 100	10/70-12/80
● Medium Weight-gingham, pique, linen, cotton, satin, thin corduroy, velvet	Ctn.# 50 - 80 Silk 50 Syn. 50 - 80	12/80-14/90
● Heavy Weight-gabardine, tweed, denim, corduroy	Ctn.# 40 - 50 Silk 50 Syn. 50 - 60	14/90-16/100
● Stretch-double knit, tricot, spandex, jersey	Ctn.# 50 - 80 Silk 50 Thread for knit	12/80-14/90 Needle for knit and synthetic fabric

To change needle, see page 6.

STRAIGHT STITCH SEWING

Straight stitch patterns should be selected according to the type of fabric being sewn.



The size of stitch width display on the LCD block of lower right side.

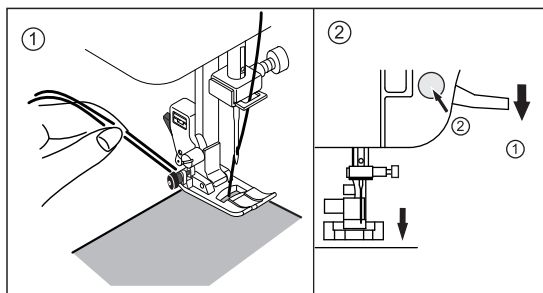
When selecting straight stitch, use to adjust the size of stitch width control the needle position.

Left position 2.5 0.0

Middle position 2.5 3.5

Right position 2.5 7.0

So, there're three kinds of different needle position to sew straight stitch.

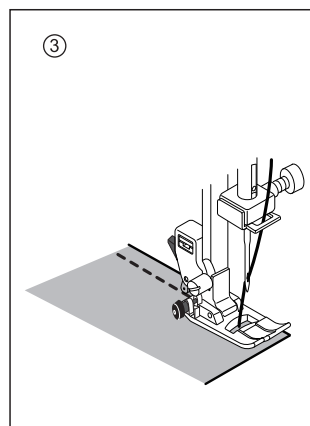


1. Position the fabric under the presser foot and lower it.
Hold the upper thread and bobbin thread loosely.

2. Lower the presser foot lever and press START/STOP button to start sewing.

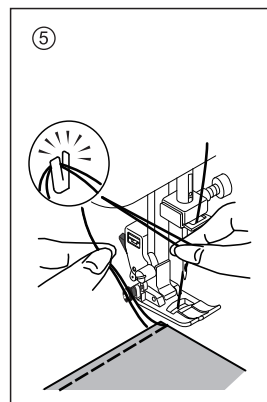
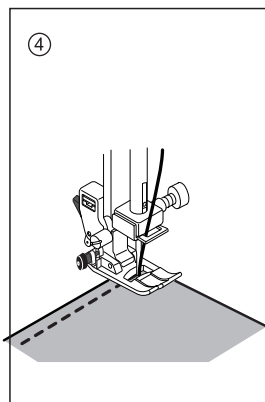
(When foot control is used, press the pedal.)

Place hand lightly on the fabric while sewing to guide the fabric.



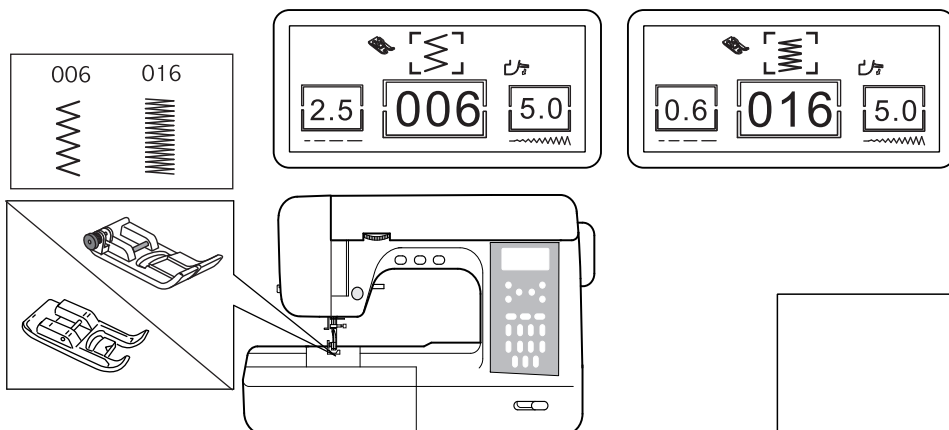
3. When you reach the end of seam, press the reverse button to sew 3-4 stitches.

4. Release the reverse button and stop sewing by pressing the START/STOP button (or releasing the pressure on foot control.)



5. Raise the presser foot and cut thread.

ZIGZAG STITCH SEWING



Your machine can sew zigzag stitches of various widths and lengths by changing the settings of the stitch width and stitch length. See page 10 for changing width and length instructions.

- Attach all purpose presser foot.
- Select stitch 006.

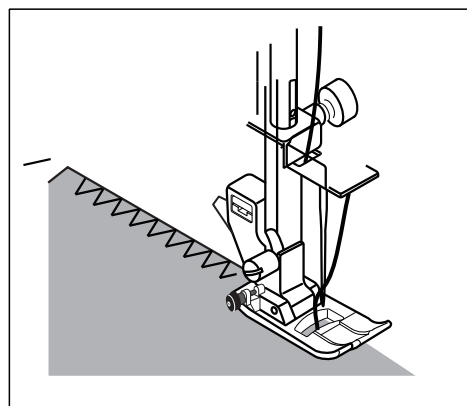
Zigzag stitches are very good for joining two pieces of fabrics or overlocking.

For joining knit or stretch fabrics, sew with the left side of the zigzag stitching along the seam line.

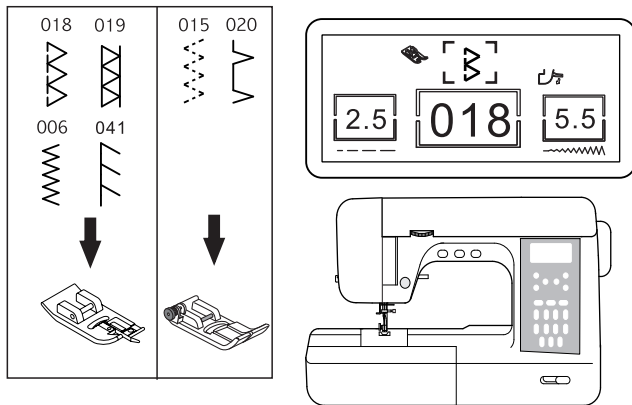
For overlocking, sew with the right side of the zigzag at the edge of the fabric.

SATIN STITCHING or APPLIQUE

You can sew a satin stitch with the zigzag stitch by shortening the stitch length.



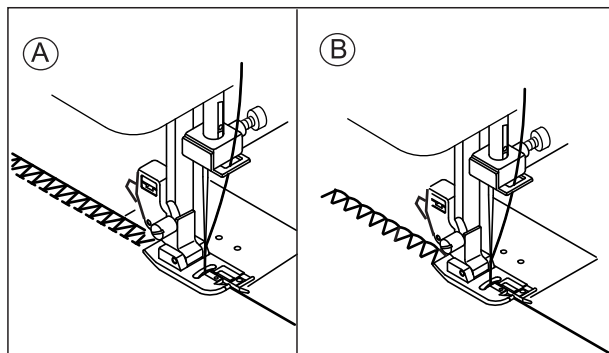
OVERCASTING-OVERLOCKING



USING THE OVERCASTING FOOT

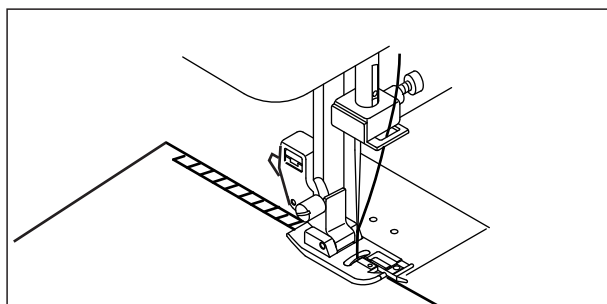
Position the fabric against the guide plate of the overcasting foot so that the needle falls near the edge of the fabric.

- A. Overcasting stitches (width 6.5-5.0) are used for preventing raveling of fabrics.
- B. Some stitches can sew overcasting and regular stitches at the same time. Therefore, it is convenient for sewing easy to ravel and stretch fabrics.



CAUTION: To prevent accidents.

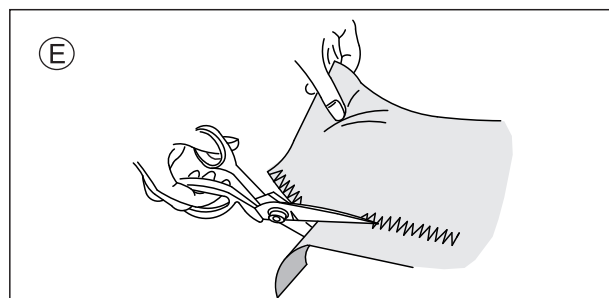
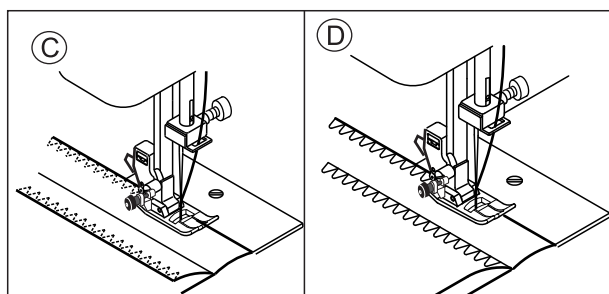
Overcasting foot should be used for sewing patterns 006, 018, 019, and 039 only and do not change the stitch width narrower than 5.0. It is possible that needle could hit the presser foot and break when sewing other patterns and width.



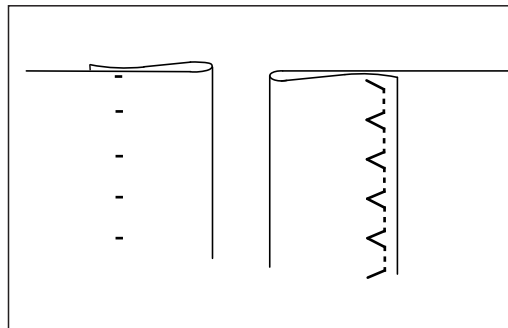
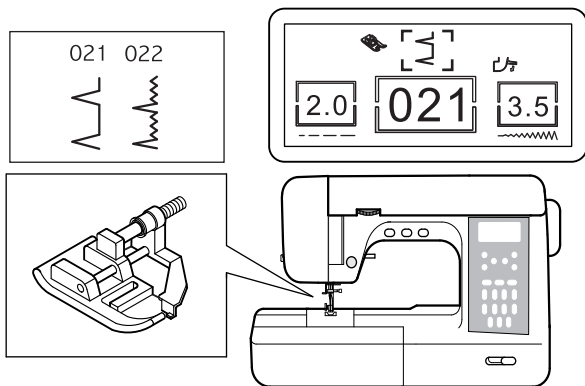
USING THE GENERAL PURPOSE FOOT

When using the all-purpose foot, place the fabric so that the needle will fall near the edge of fabric.

- C. Use a narrower zigzag width for thin or fine fabrics.
- D. Adjust the width and length of stitch 06 for various weights of knit and stretch fabrics.
- E. For 1/2 inch seam allowances, sew then trim the excess fabric close to the stitching. Be careful not to cut thread when cutting the fabric edge.



BLIND HEM STITCHING



This stitch will sew without stitches showing on right side of fabric.

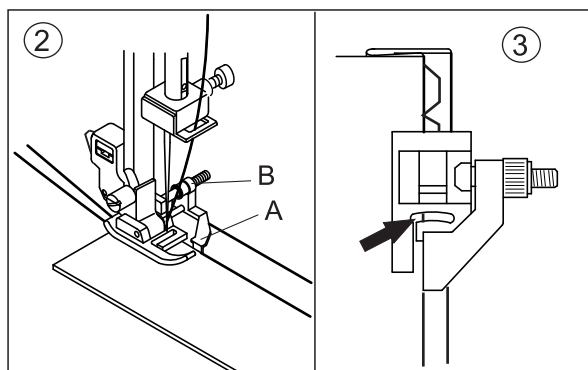
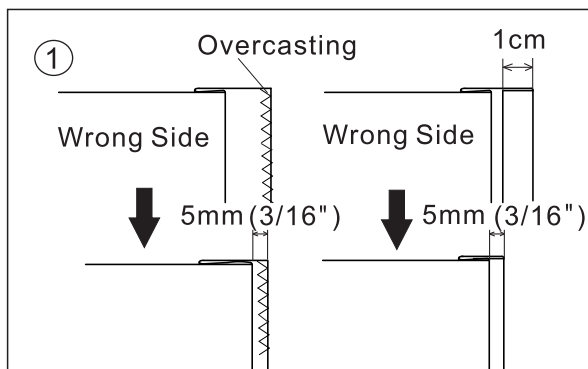
1. Fold the fabric as shown on drawing. Leave 5mm (approximately 3/16 inch) extended past the folded edge.

2. The guide (A) on the blind hem foot ensures even feeding of the fabric when blind hem stitching. The guide (A) is adjusted by turning the adjusting screw (B).

3. Place fabric so that the straight stitches are on the extended hem edge and the zigzag stitches just catch one thread of the folded edge. Turn the screw so that the guide barely touches the folded edge of fabric.

4. Lower the presser foot and sew hem, guiding fabric evenly along the guide.

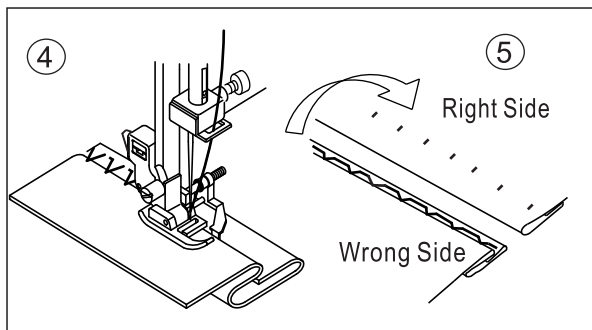
5. Turn the fabric over when you have completed sewing.



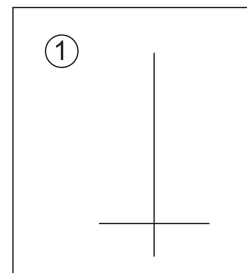
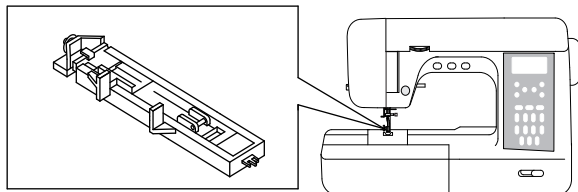
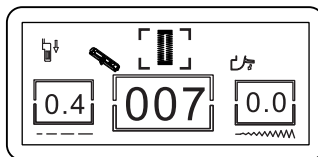
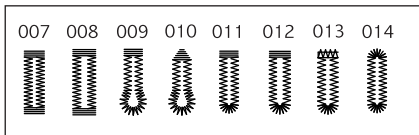
Note:

If too much of the stitching shows on the right side of the fabric, change to a narrower stitch width or move the guide on the foot to the right.

If the zigzag does not meet the fold, widen the stitch width or move the guide on the foot to the left.

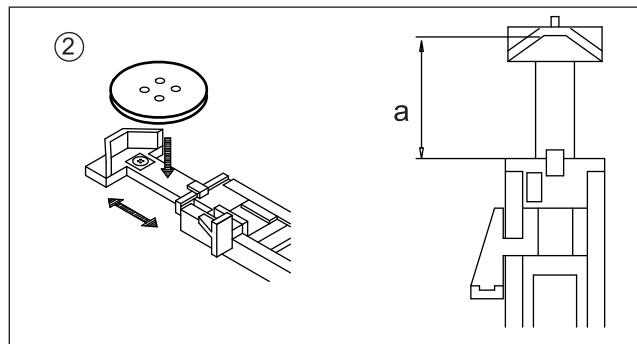


BUTTONHOLE SEWING

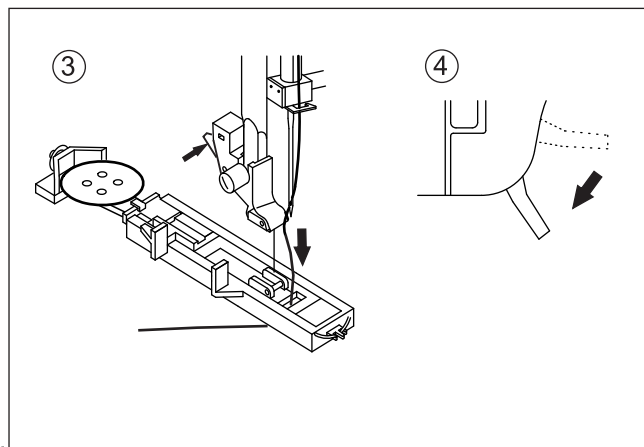


1. Mark position and length of buttonhole on fabric.
 2. Set button on the base and slide base forward to secure button.
- * If button does not fit on the base, adjust slide on base to diameter of button plus thickness of button.

a= Length of button + thickness

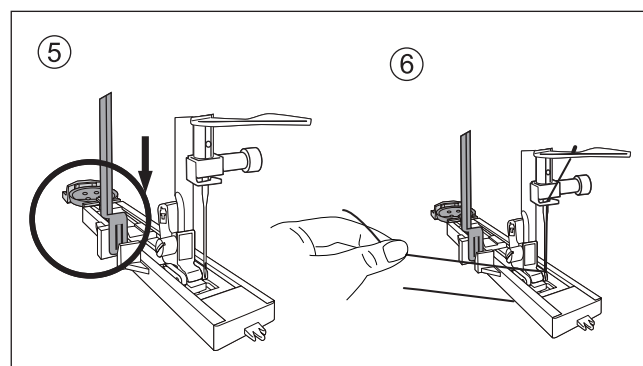


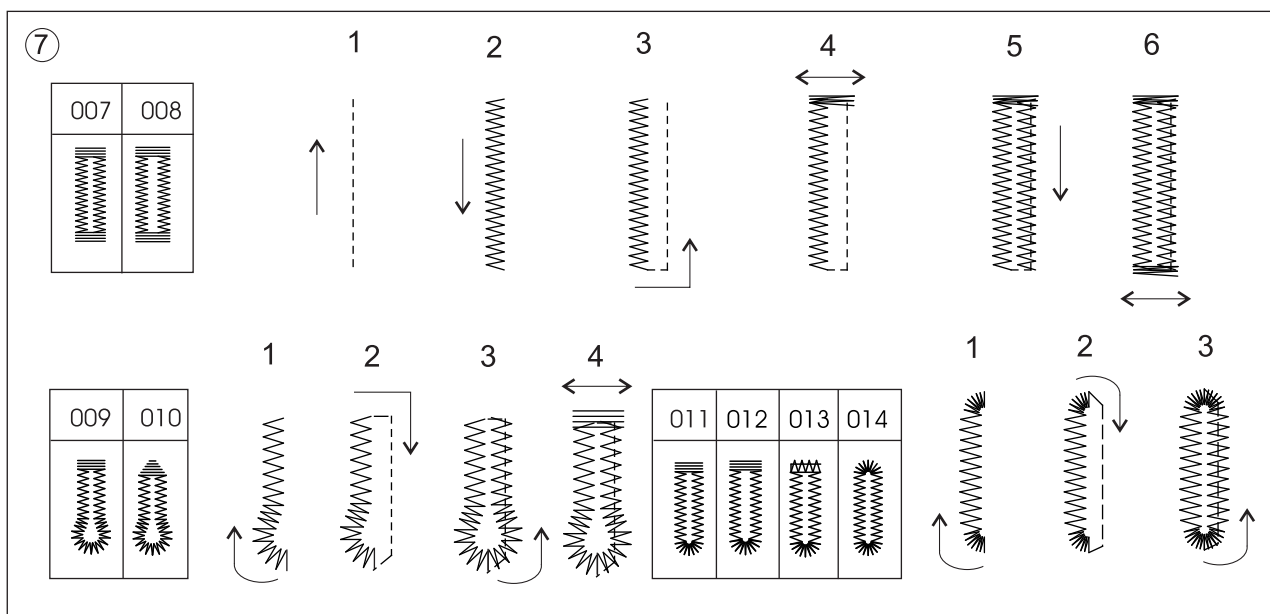
3. Pass upper thread through the hole of buttonhole foot and attach buttonhole foot to machine. Bring upper and bobbin threads to the left under foot.
4. Position fabric under presser foot so that the center line mark is in the center of the needle opening in the buttonhole foot. With the main part of the foot pushed to the back lower the presser foot lever.



5. Lower the buttonhole foot lever so it is positioned behind the raised finger on the foot (see step 5 illustration).
6. Hold upper thread lightly and start the machine.

Note: Machine will not start to sew if buttonhole lever is not lowered properly or buttonhole foot is not positioned correctly.

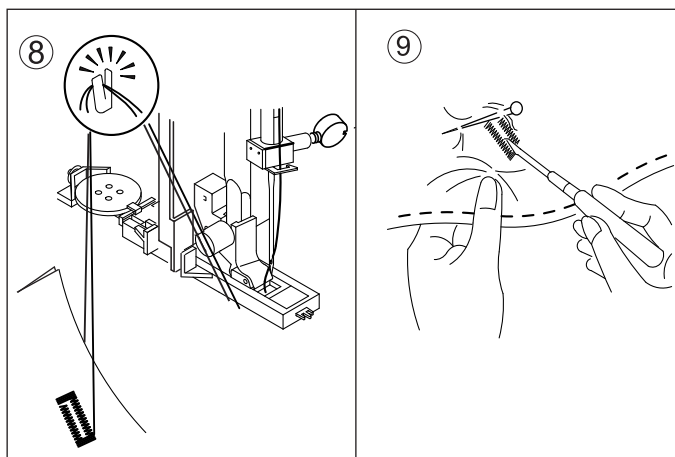




7. Machine will sew the buttonhole in the order as shown and stop automatically after sewing.

8. Raise the presser foot and cut thread. To sew over same buttonhole, raise presser foot to return to original position

9. Cut center of buttonhole being careful not to cut stitches on either side. Use a pin as a stopper.



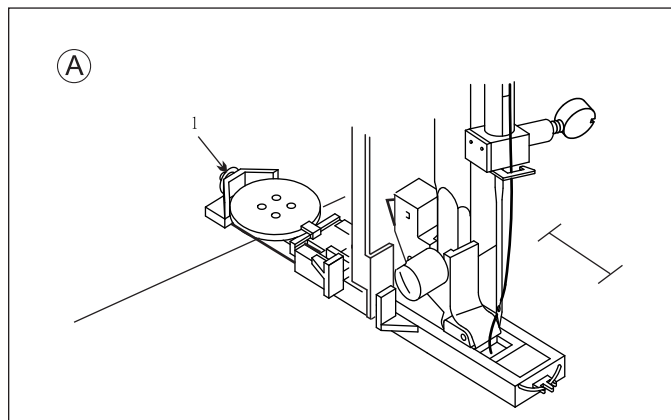
CAUTION: To prevent accidents.

When using seam ripper, do not put your finger in the path of ripper.

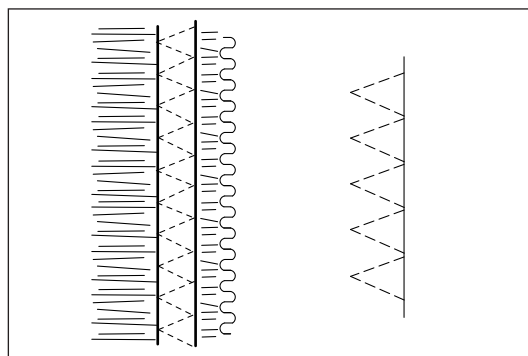
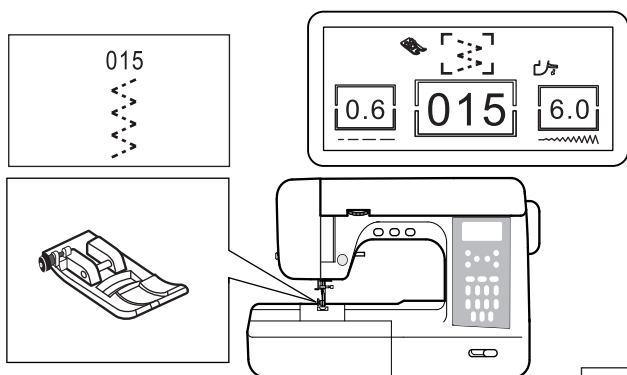
A. WHEN SEWING STRETCH FABRIC

It is suggested that you use interfacing on the backside of the fabric.

Note: Density of buttonhole legs may be adjusted with stitch length control.



MULTI-STITCH ZIGZAG



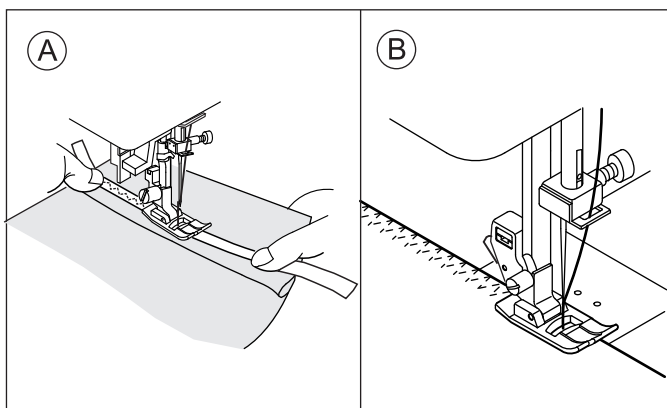
Used for sewing on elastic band and overcast stitching on knit fabrics.

A. Elastic Sewing

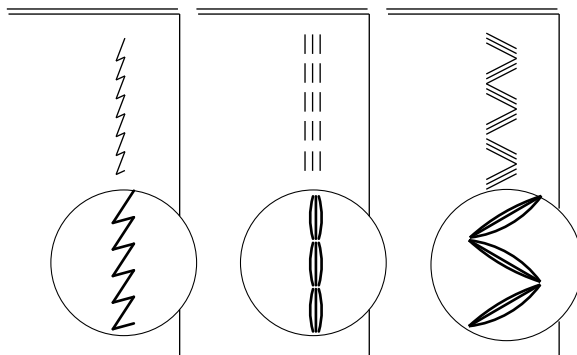
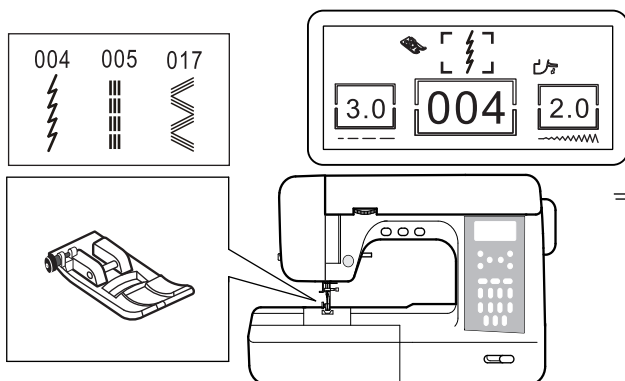
Stretch elastic in front and back of needle while sewing. Be careful not to bend needle while stitching.

B. Overcast stitching

Used for easy to ravel and knit fabrics. Guide fabric so stitch on right side is at the edge on the fabric.



ELASTIC STITCH SEWING



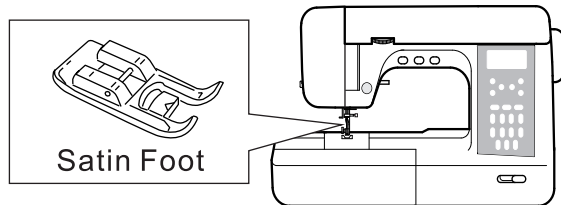
It assures you of a stitch that is strong and flexible and will give with the fabric without breaking. Good for stretch or knit fabrics and seams that require flexibility.

It is good for joining durable fabrics such as denims.

We recommend that you use a needle for knit and synthetic fabrics to prevent skipped stitches and thread breakages.

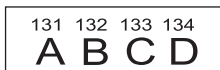
APPROPRIATE FOR WORDS

1. As sewing letters, please use the satin foot instead of presser foot. Therefore, the letters are much clear.



2. Please refer to page 33 chart to input numbers for selecting letters.

3. For example, to sew



Press **ME** button, select number: 131+132+133+... and press **SA** when stitch is wish to be saved.

ERASE FUNCTION

Press for selection when you want to erase

the mistaken pattern that is already inputted.

Press **CL** to erase the pattern that is not desirable



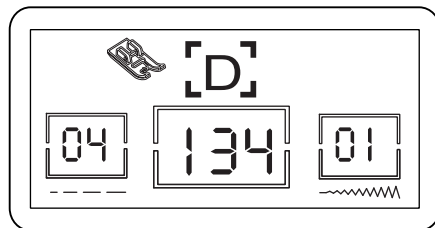
131	132	133	134	135	136	137	138	139	140
A	B	C	D	E	F	G	H	I	J
141	142	143	144	145	146	147	148	149	150
K	L	M	N	O	P	Q	R	S	T
151	152	153	154	155	156				
U	V	W	X	Y	Z				
161	162	163	164	165	166	167	168	169	170
a	b	c	d	e	f	g	h	i	j

4. : On LCD screen,

Number will be shown as amount of stitches saved. (Max.60 units of memory)

6. : On LCD screen,

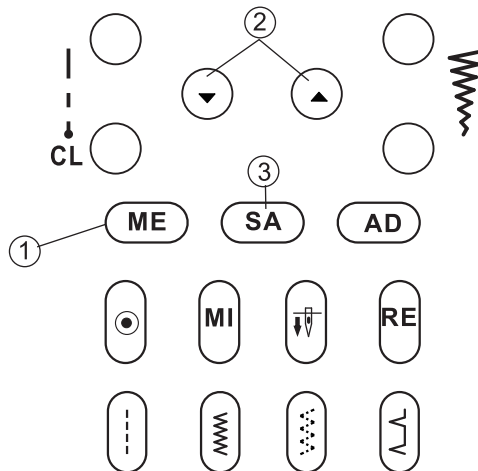
Number will be shown as sequence of selected stitches.



① Press MEMORY button, when the button lights up the user starts memory function, the same time LCD screen display MEMORY on upper left side.

② The user can key in the number of patterns, alphabets or figures to memory. Firstly use the distance button to select the required patterns.

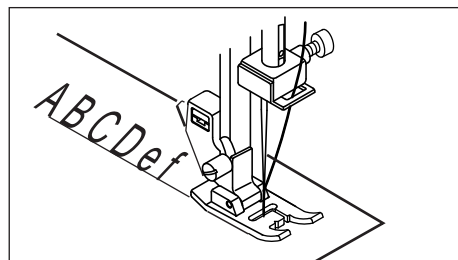
③ Then press SAVE button to memory the patterns (can key in 60 kinds of patterns, alphabets or figures).



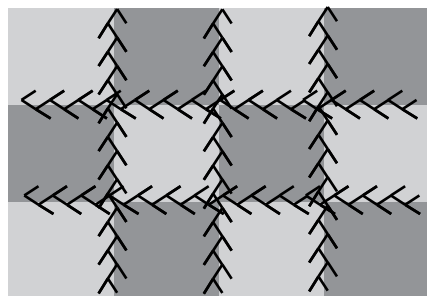
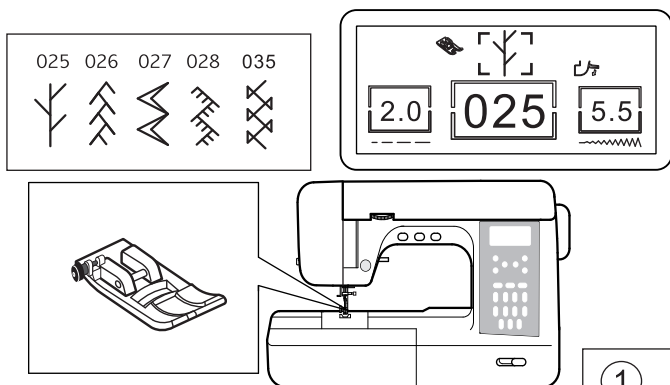
a. BH pattern cannot be saved in memory function

b. Mirror function can be activated in memory function.

c. Into memory function, at left below of LCD screen will display the quantity of total memory.

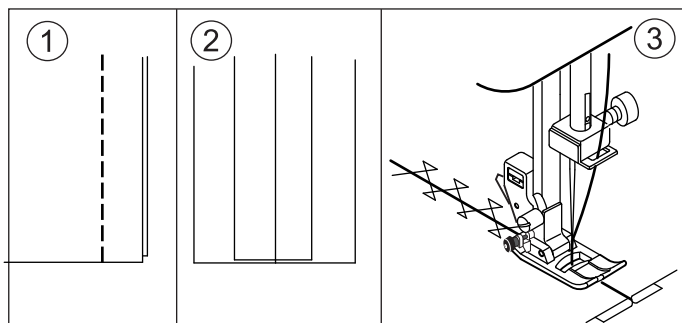


PATCH WORK

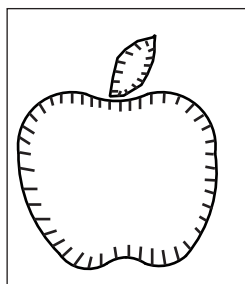
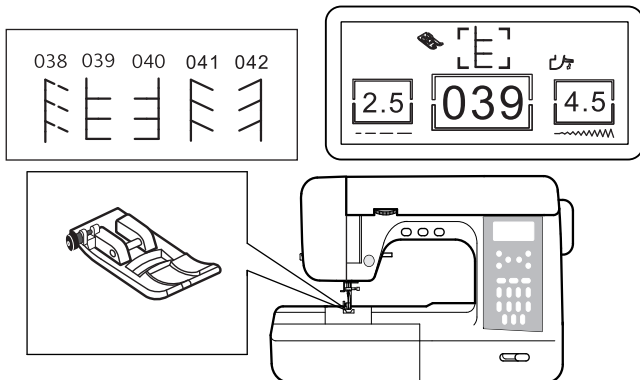


For additional decorative purposes, use different kind of materials.

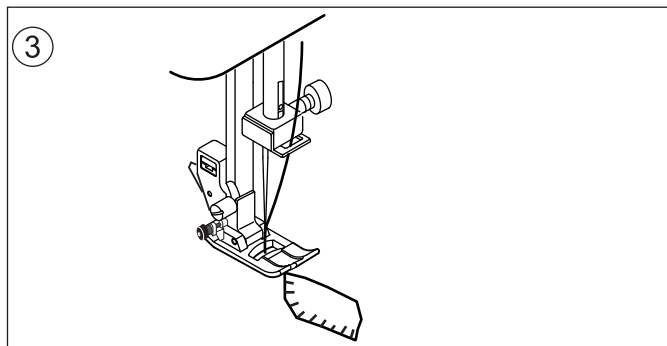
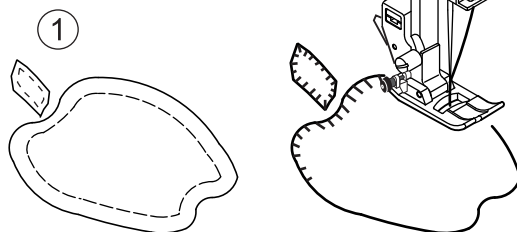
1. Place two pieces of fabric right sides together and sew a basting stitch.
2. Press the seam open.
3. Place fabric right side up and stitch with the seam line in the center of the foot. Stitches should fall on both sides of the seam line.



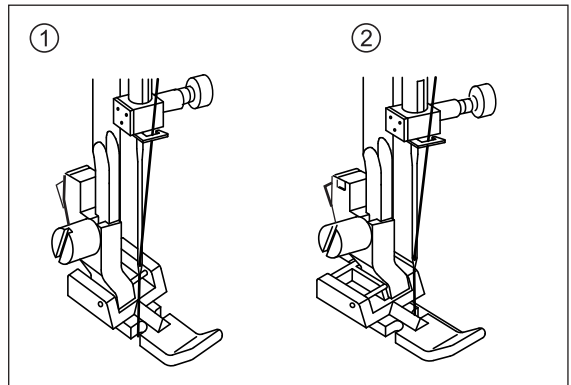
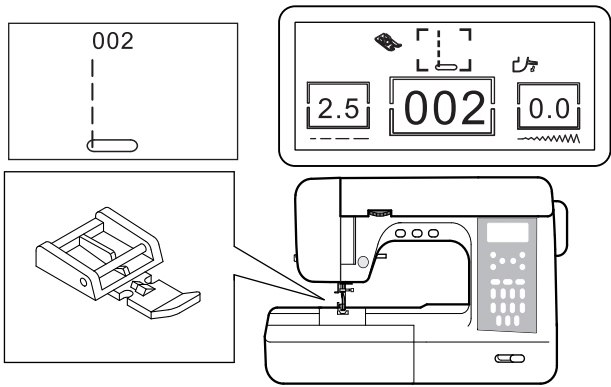
APPLIQUE



1. Position the applique on fabric with fabric glue, fusible iron on stabilizer or basting stitches. (When using fabric with frayed edges for the applique, press under 1/4 inch on all the edges.)
2. Sew along the edge of the applique. Align the straight part of the stitch with the edge of the applique to give this project a hand-made appearance.
3. When pivoting corners, lower the needle in the right side of the stitch. Raise the presser foot and use the needle to pivot and turn the fabric.



INSERT ZIPPERS

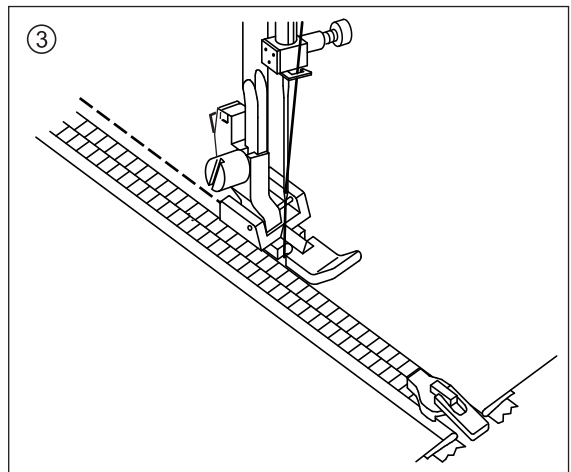


Align the right side or the left side of the zipper foot pin with the presser foot holder, lower the presser foot lever to attach the foot.

1. Needle stitches to the left of foot.

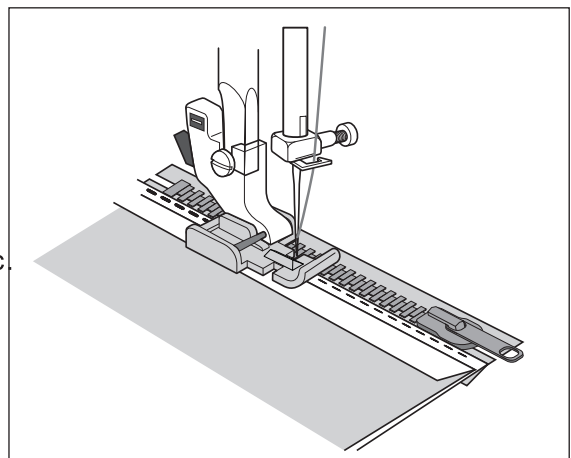
2. Needle stitches to the right of foot.

3. To insert zippers, consult the zipper package for instructions on how to prepare zipper placket and place zipper. To sew close to the zipper on the right side, snap the zipper foot onto the presser foot holder on the left side so the needle passes through the opening on the left side of the foot. Snap the foot onto the presser foot holder on the other side of the foot to sew close to the left side of the zipper.



PIPING

To insert piping, purchase pre-made piping or cover cording with a bias strip of fabric using the zipper foot snapped on to the right side of the presser foot holder. Place the piping between two layers of fabric. Stitch with the piping next to the foot so the stitching is tight against the cord.

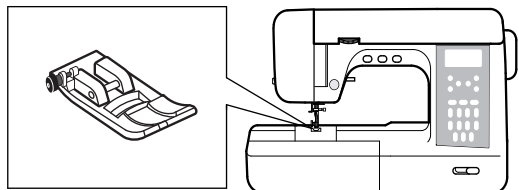
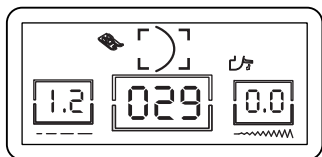
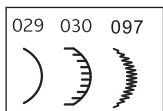


SCALLOP STITCH

These stitches are used to sew a decorative edge on garments and table cloths.

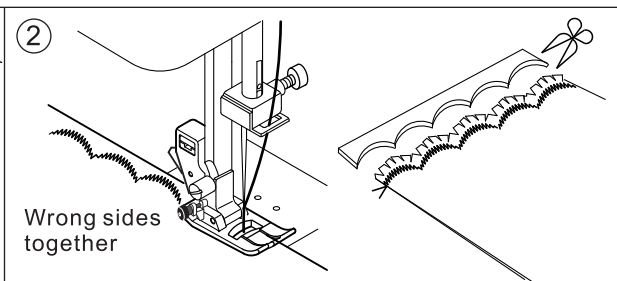
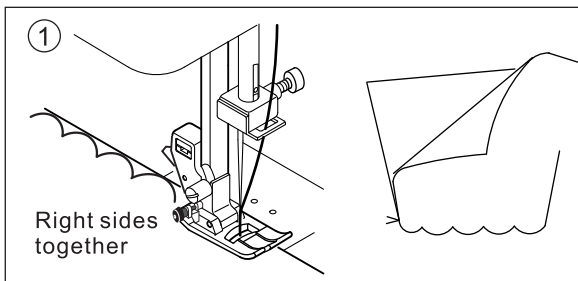
① SCALLOP HEM

1. Fold the fabric with right sides together and sew near the edge.
2. Cut the fabric along the seam leaving an allowance of 3 mm (1/8") for seaming. Notch the allowance.
3. Turn fabric with right sides out and gently push out the curved seam press.

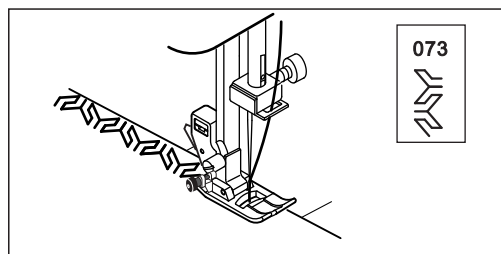
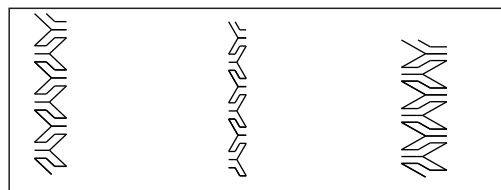
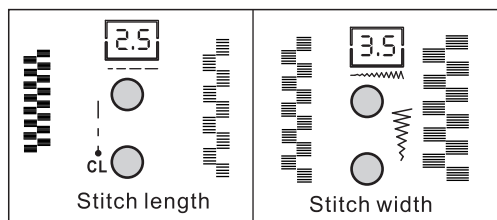
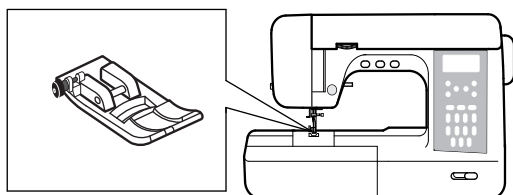
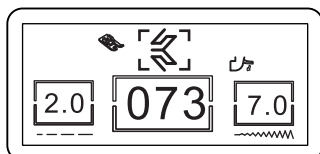
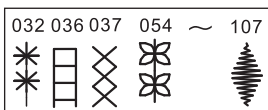


② DECORATIVE SCALLOP EDGE

1. Place the fabric with wrong sides together and stitch near the edge.
2. Trim along the outside edge of the stitching (being careful not to cut the stitching).
3. Use seam sealant or fabric glue to secure edges of the scallop stitching.



ADJUSTING DECORATIVE PATTERNS



Use the open toe foot for continuous decorative stitch patterns. An indentation on the underside permits the flow of satin stitching and the open front allows clear visibility.

To tailor decorative stitch patterns, adjust the length and width of the pattern. Higher number results in a longer or wider stitch pattern. Lower number gives you a shorter or narrower stitch pattern. Experiment with sample fabric until you get the desired length and width.

Note: Some stitch patterns do not have both length and width adjustment.

SEWING LIGHTWEIGHT FABRICS

When sewing lightweight fabrics, it is suggested that you use interfacing on the backside of the fabric.

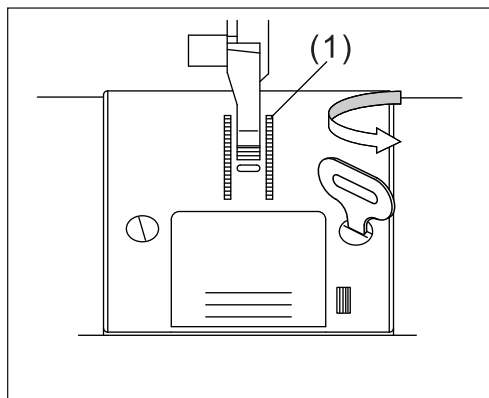
CARING FOR YOUR MACHINE

To ensure the best possible operation of your machine, it is necessary to keep the essential parts clean at all times. Always disconnect the machine from power supply by removing the plug from the electric outlet.



CAUTION: To prevent accidents.

Please switch off the power before you start cleaning.

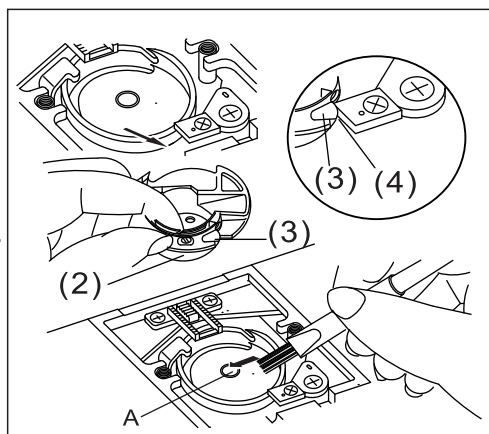


CLEANING THE FEED DOGS AND HOOK AREA

1. Raise the needle to its highest position.
2. Remove the needle plate (1)
3. Remove the bobbin and bobbin case (2)
4. Clean the feed dogs and hook area with the lint brush.

NOTE: Put drop of sewing machine oil on the hook race as indicated by the arrow A.

5. Replace the bobbin case with the projection (3) positioned against the spring (4). Replace the needle plate.



HELPFUL HINTS

PROBLEM	CAUSE	CORRECTION	PAGE
Upper thread breaks	● Machine not properly threaded.	● Rethread machine.	13
	● Thread entwined around bobbin.	● Clean bobbin area and rethread bobbin case.	12
	● Needle inserted incorrectly.	● Reinsert needle.	6
	● Thread tension too tight.	● Readjust thread tension.	17
Lower thread breaks	● Thread of incorrect size or poor quality.	● Choose correct thread.	18
	● Bobbin threaded incorrectly.	● Rethread the bobbin.	12
Machine skips stitches	● Bobbin wound unevenly or too full.	● Rewind the bobbin.	11
	● Dirt in the bobbin and hook area.	● Clean the bobbin and hook area.	30
	● Needle inserted incorrectly.	● Reinsert needle.	6
Fabric puckers	● Bent or blunt needle.	● Insert new needle.	6
	● Incorrect size of needle.	● Choose correct size needle for fabric.	18
	● Incorrect size needle on stretch fabric.	● Use stretch needle.	18
Machine makes loose stitches or loops	● Machine not properly threaded.	● Rethread machine.	13
	● Bobbin threaded incorrectly.	● Rethread the bobbin.	12
	● Blunt needle.	● Insert new needle.	6
	● Thread tension too tight.	● Readjust thread tension.	17
Threader does not thread needle eye	● Bobbin threaded incorrectly.	● Rethread the bobbin.	12
	● Machine not properly threaded.	● Rethread machine.	13
	● Tension not adjusted properly.	● Readjust thread tension.	17
Machine does not feed properly	● Needle is not raised.	● Raise the needle.	8
	● Needle inserted incorrectly.	● Reinsert needle.	6
	● Bent needle.	● Insert new needle.	6
Needle breaks	● Feed dogs are lowered.	● Raise the feed dogs.	8
	● Lint and dust accumulated around feed dogs.	● Clean the feed dogs area.	30
Machine runs with difficulty	● Fabric pulled while sewing.	● Do not pull fabric.	15
	● Needle is hitting the presser foot.	● Select correct foot and pattern.	19
	● Needle inserted incorrectly.	● Reinsert needle.	6
	● Incorrect size needle or thread for fabric being sewn.	● Choose correct size needle and thread.	18
Machine will not run	● Dirt or lint accumulated in the hook race and feed dog.	● Remove the needle plate and bobbin case and clean the hook race and feed dog.	30
	● Cord not plugged into electrical outlet.	● Insert plug fully into outlet.	7
	● Power switch is not turned on.	● Turn on the switch.	7
Machine will not run	● Bobbin winder spindle is pushed to the right.	● Push spindle to the left.	11
	● Presser foot is not lowered.	● Lower the foot.	15
	● Buttonhole Sewing Mode; – Buttonhole lever is not lowered completely.	● – Lower the buttonhole lever.	23
	– Buttonhole foot is not attached.	– Attach the buttonhole foot.	23

PATTERN CHART

Bold part of decorative pattern is one unit of pattern.

001 002 003 004 005 006 007 008 009 010	091 092 093 094 095 096 097 098 099 100
011 012 013 014 015 016 017 018 019 020	101 102 103 104 105 106 107 108 109 110
021 022 023 024 025 026 027 028 029 030	111 112 113 114 115 116
031 032 033 034 035 036 037 038 039 040	117 118 119 120 121 122 123 124 125 126
041 042 043 044 045 046 047 048 049 050	127 128 129 130 131 132 133 134 135 136
051 052 053 054 055 056 057 058 059 060	137 138 139 140 141 142 143 144 145 146
061 062 063 064 065 066 067 068 069 070	G H I J K L M N O P
071 072 073 074 075 076 077 078 079 080	147 148 149 150 151 152 153 154 155 156
081 082 083 084 085 086 087 088 089 090	Q R S T U V W X Y Z
	157 158 159 160 161 162 163 164 165 166
	, ? & ↓ a b c d e f
	167 168 169 170 171 172 173 174 175 176
	g h i j k l m n o p
	177 178 179 180 181 182 183 184 185 186
	q r s t u v w x y z
	187 188 189 190 191 192 193 194 195 196
	□ / · - 0 1 2 3 4 5
	197 198 199 200
	6 7 8 9

