

The NOVA

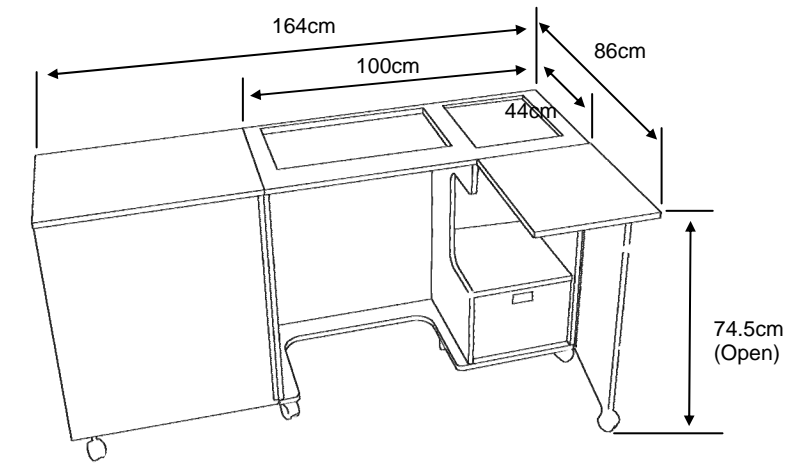
- the Classic Sewing Cabinet



Closed the NOVA is a handsome compact piece of furniture shown here in Medium Oak

Improved Design!

With the NOVA you can store both your sewing machine, overlocker and all your vital sewing accessories in one easy to get at location- no problem!



CLOSED - WIDE 100cm (39½") DEEP 44cm (17½") HIGH 76cm (30")

Heaps of storage & fitted with a handy removable accessory tray

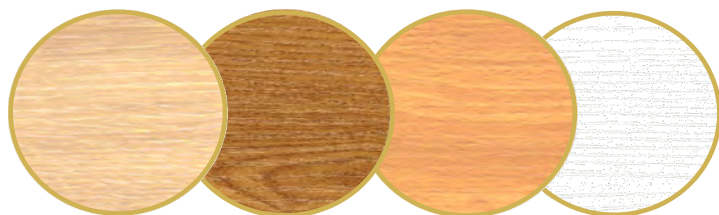


Now fitted with a new 'inset' design where the inset sits inside the aperture on a ledge thus giving an even flusher, smoother, sturdier surface from tabletop to machine arm.... You'll love it!



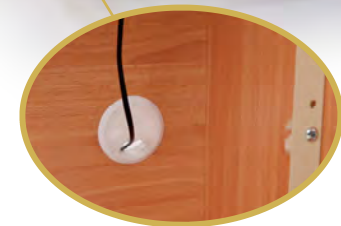
- Fitted with our large lifter opening (type 1929) which is capable of taking many of the newer (and older) machines on the market but not all of, more particularly, the larger domestic sewing machines available today.
- 3 step push down release air-lift mechanism means a quick push down moves your machine from storage to flatbed to free-arm positions.
- An extra deep drawer, handy shelf, and a recessed table top accessories organiser adds even more storage.
- Transparent door storage bins are recessed under the lid by means of a specially constructed angled door system this allows your fabric to drape down without catching or disturbing the door bin contents.
- Stores both a sewing machine and an overlocker, or maybe a second smaller workshop machine.
- Hides both your machines away in a beautiful cabinet that is lockable with a key. No one would ever know.
- One flatbed insert plate cut to fit your sewing machine is included with this model.
- Arrives fully assembled.

Colour Chart



Light Oak, Medium Oak, Beech & White

Our most compact unit that can take both an overlocker and sewing machine



Now fitted with a cable port to the back of the cabinet for improved cable management

Fitted with our longer air-lifter (1939)

(Take a look at page 36 to see how the air-lift works)